

Dear customer

LAPIS Semiconductor Co., Ltd. ("LAPIS Semiconductor"), on the 1st day of October, 2020, implemented the incorporation-type company split (shinsetsu-bunkatsu) in which LAPIS established a new company, LAPIS Technology Co., Ltd. ("LAPIS Technology") and LAPIS Technology succeeded LAPIS Semiconductor's LSI business.

Therefore, all references to "LAPIS Semiconductor Co., Ltd.", "LAPIS Semiconductor" and/or "LAPIS" in this document shall be replaced with "LAPIS Technology Co., Ltd."

Furthermore, there are no changes to the documents relating to our products other than the company name, the company trademark, logo, etc.

Thank you for your understanding.

LAPIS Technology Co., Ltd.

October 1, 2020

ML610Q435/ML610Q436

8-bit Microcontroller with a Built-in LCD driver

GENERAL DESCRIPTION

This LSI is a high-performance 8-bit CMOS microcontroller into which rich peripheral circuits, such as real-time clock, synchronous serial port, UART, I²C bus interface (master), melody driver, battery level detect circuit, RC oscillation type A/D converter, 12-bit successive approximation type A/D converter, and LCD driver, are incorporated around 8-bit CPU nX-U8/100. The CPU nX-U8/100 is capable of efficient instruction execution in 1-instruction 1-clock mode by 3-stage pipe line architecture parallel processing. The Flash ROM that is installed as program memory achieves low-voltage low-power consumption operation (read operation) equivalent to mask ROM and is most suitable for battery-driven applications. The on-chip debug function that is installed enables program debugging and programming.

FEATURES

- CPU
 - 8-bit RISC CPU (CPU name: nX-U8/100)
 - Instruction system: 16-bit instructions
 - Instruction set: Transfer, arithmetic operations, comparison, logic operations, multiplication/division, bit manipulations, bit logic operations, jump, conditional jump, call return stack manipulations, arithmetic shift, and so on
 - On-Chip debug function
 - Minimum instruction execution time
 - 30.5 μs (@32.768 kHz system clock)
 - 0.24 4μs (@4.096 MHz system clock)
- Internal memory
 - Internal 96KByte Flash ROM (48K×16 bits) (including unusable 1KByte TEST area)
 - Internal 2KByte Data RAM (2048×8 bits), 1KByte Display Allocation RAM (1024 x 8bit)
 - Internal 192Byte RAM for display
- Interrupt controller
 - 2 non-maskable interrupt sources (Internal source: 1, External source: 1)
 - 23 maskable interrupt sources (Internal sources: 19, External sources: 4)
- Time base counter
 - Low-speed time base counter ×1 channel
 - Frequency compensation (Compensation range: Approx. –488ppm to +488ppm. Compensation accuracy: Approx. 0.48ppm)
 - High-speed time base counter ×1 channel
- Watchdog timer
 - Non-maskable interrupt and reset
 - Free running
 - Overflow period: 4 types selectable (125ms, 500ms, 2s, and 8s)
- Timers
 - 8 bits × 4 channels (16-bit configuration available)
- 1 kHz timer
 - 10 Hz/1 Hz interrupt function



- Capture
 - Time base capture × 2 channels (4096 Hz to 32 Hz)
- PWM
 - Resolution 16 bits × 1 channel
- Real time clock
 - Year, month, day, day of the week, hour, minute, and second registers
 - Automatic leap year correction
 - Regular interrupts (0.5 sec, 1 sec, 1 minute, 1 hour)
 - Alarm interrupt × 2 channels (day of the week, hour, minute; month, day hour, minute)
- Synchronous serial port
 - Master/slave selectable
 - LSB first/MSB first selectable
 - 8-bit length/16-bit length selectable
- UART
 - TXD/RXD × 1 channel
 - Bit length, parity/no parity, odd parity/even parity, 1 stop bit/2 stop bits
 - Positive logic/negative logic selectable
 - Built-in baud rate generator
- I²C bus interface
 - Master function only
 - Fast mode (400 kbps@4MHz), standard mode (100 kbps@4MHz, 50kbps@500kHz)
- Melody driver
 - Scale: 29 types (Melody sound frequency: 508 Hz to 32.768 kHz)
 - Tone length: 63 types
 - Tempo: 15 types
 - Buzzer output mode (4 output modes, 8 frequencies, 16 duty levels)
- RC oscillation type A/D converter
 - 24-bit counter
 - Time division × 2 channels
- Successive approximation type A/D converter
 - 12-bit A/D converter
 - Input × 2 channels
- General-purpose ports
 - Non-maskable interrupt input port × 1 channel
 - Input-only port × 6 channels (including secondary functions)
 - Output-only port × 3 channels (including secondary functions)
 - Input/output port
 - ML610Q435: 22 channels (including secondary functions)
 - ML610Q436: 14 channels (including secondary functions)

- LCD driver
 - Dot matrix can be supported.
 - ML610Q435: 1024 dots max. (64 seg × 16 com)
 - ML610Q436: 1536 dots max. (64 seg × 24 com)
 - 1/1 to 1/24 duty
 - 1/3 or 1/4 bias (built-in bias generation circuit)
 - Frame frequency selectable (approx. 64 Hz, 73 Hz, 85 Hz, and 102 Hz)
 - Bias voltage multiplying clock selectable (8 types)
 - Contrast adjustment (1/3 bias: 32 steps, 1/4 bias: 20 steps)
 - LCD drive stop mode, LCD display mode, all LCDs on mode, and all LCDs off mode selectable
 - Programmable display allocation function (available only when 1/1~1/8 duty is selected)
- Reset
 - Reset through the RESET_N pin
 - Power-on reset generation when powered on
 - Reset when oscillation stop of the low-speed clock is detected
(“A”version(ML610Q435A/Q436A) don’t have the oscillation stop function.)
 - Reset by the watchdog timer (WDT) overflow
- Power supply voltage detect function
 - Judgment voltages: One of 16 levels
 - Judgment accuracy: ±2% (Typ.)
- Clock
 - Low-speed clock: (This LSI can not guarantee the operation without low-speed clock)
Crystal oscillation (32.768 kHz)
 - High-speed clock:
 - Built-in RC oscillation (500 kHz)
 - Built-in PLL oscillation (8.192 MHz ±TBD%), crystal/ceramic oscillation (4.096 MHz), external clock
 - Selection of high-speed clock mode by software:
Built-in RC oscillation, built-in PLL oscillation, crystal/ceramic oscillation, external clock
- Power management
 - HALT mode: Instruction execution by CPU is suspended (peripheral circuits are in operating states).
 - STOP mode: Stop of low-speed oscillation and high-speed oscillation (Operations of CPU and peripheral circuits are stopped.)
 - Clock gear: The frequency of high-speed system clock can be changed by software (1/1, 1/2, 1/4, or 1/8 of the oscillation clock)
 - Block Control Function: Power down (reset registers and stop clock supply) the circuits of unused peripherals.
- Guaranteed operating range
 - Operating temperature: -20°C to 70°C
 - Operating voltage: $V_{DD} = 1.1V$ to 3.6V, $AV_{DD} = 2.2V$ to 3.6V

- Product name – Supported Function

The line-up of the ML610Q435 and the ML610Q436 is below.

| - Chip (Die) - | ROM type | Low-speed oscillation stop detect reset | Operating temperature | Product availability |
|------------------|-----------|--|--------------------------|----------------------|
| ML610Q435-xxxWA | Flash ROM | Yes | -20°C to +70°C | Yes |
| ML610Q435A-xxxWA | Flash ROM | - | -20°C to +70°C | Yes |
| ML610Q436-xxxWA | Flash ROM | Yes | -20°C to +70°C | Yes |
| ML610Q436A-xxxWA | Flash ROM | - | -20°C to +70°C | Yes |

| - 144-Pin plastic LQFP - | ROM type | Low-speed oscillation stop detect reset | Operating temperature | Product availability |
|-----------------------------|-----------|--|--------------------------|----------------------|
| ML610Q435A-xxxTC | Flash ROM | - | -20°C to +70°C | Yes |
| ML610Q436A-xxxTC | Flash ROM | - | -20°C to +70°C | Yes |

xxx:ROM code number (xxx of the blank product is NNN)

Q:Flash ROM version

A:Low-speed clock oscillation stop detection reset is disabled always (A version)

WA:Chip (Die)

TC:LQFP

BLOCK DIAGRAM
ML610Q435 Block Diagram

Figure 1 show the block diagram of the ML610Q435.
 "*" indicates the secondary function of each port.

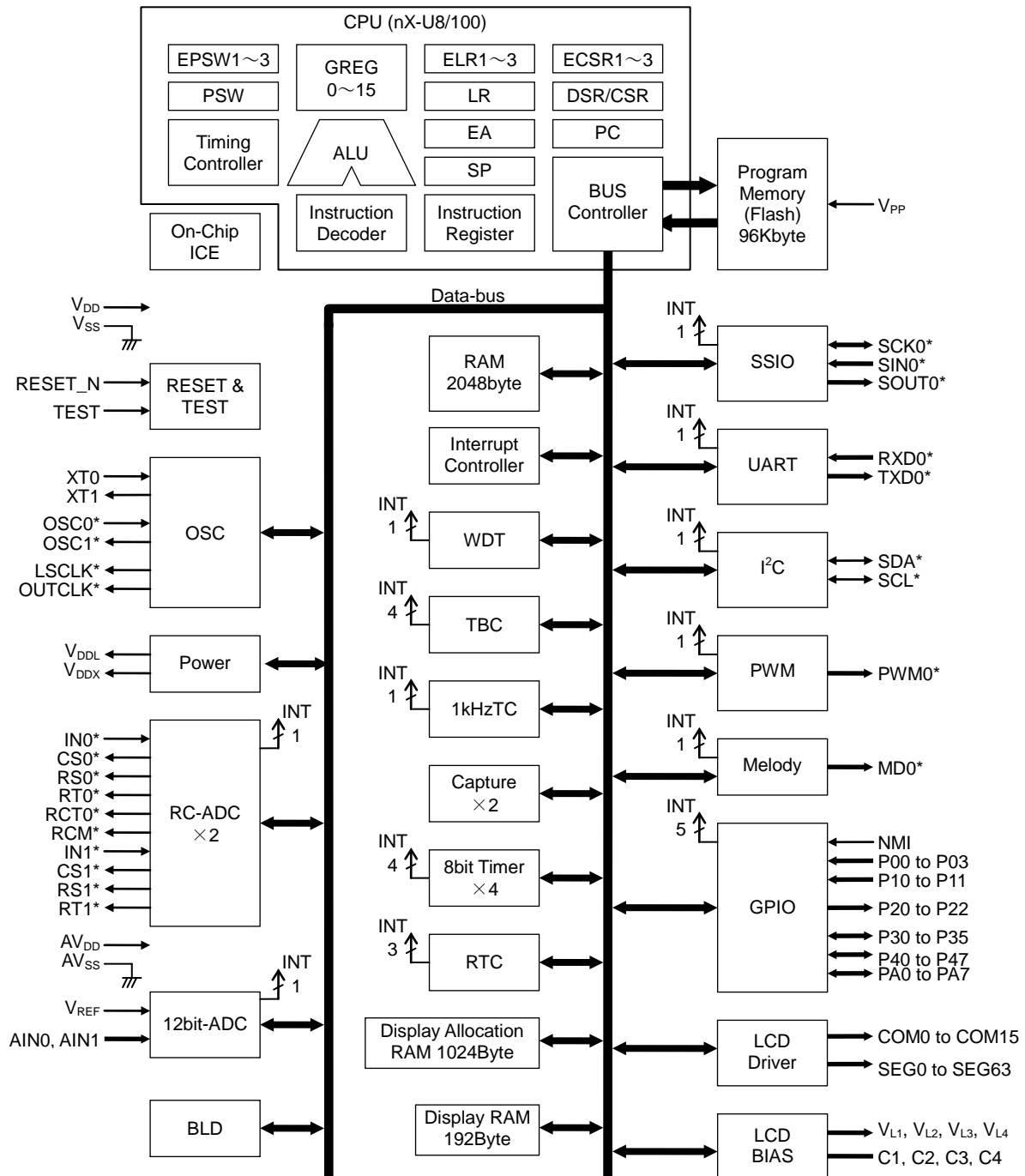


Figure 1 ML610Q435 Block Diagram

ML610Q436 Block Diagram

Figure 2 show the block diagram of the ML610Q436.
 "*" indicates the secondary function of each port.

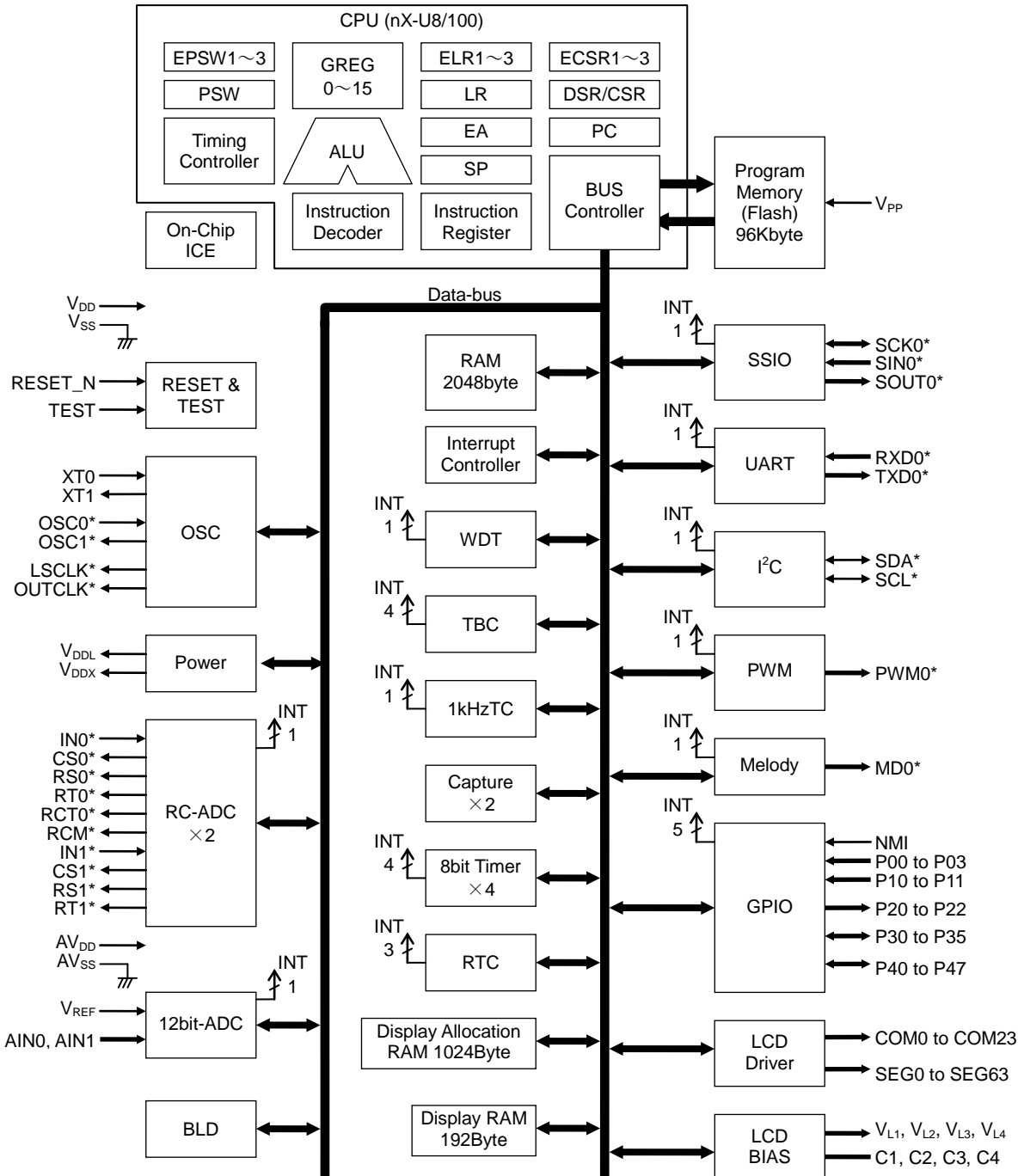
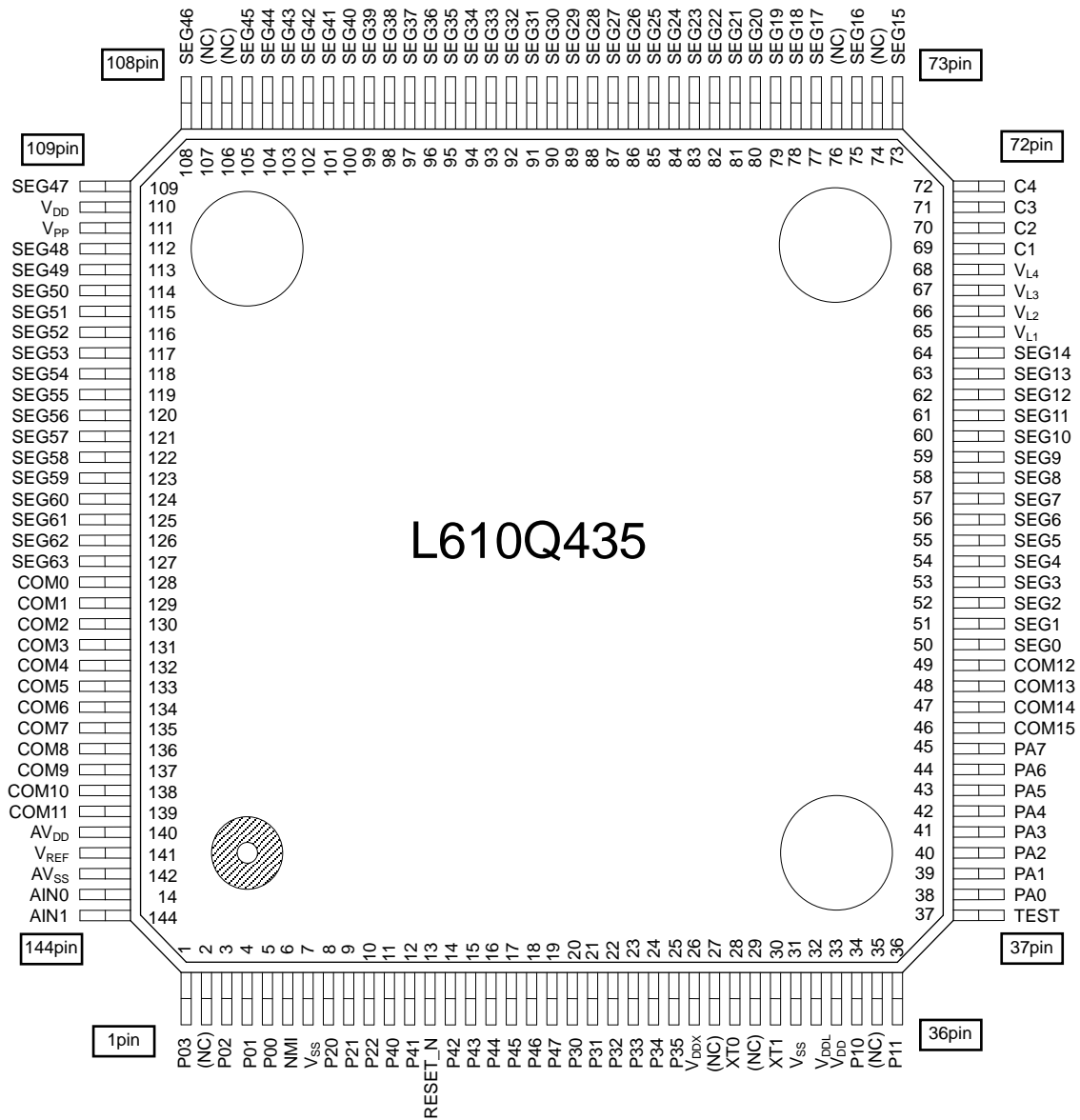


Figure 2 ML610Q436 Block Diagram

PIN CONFIGURATION

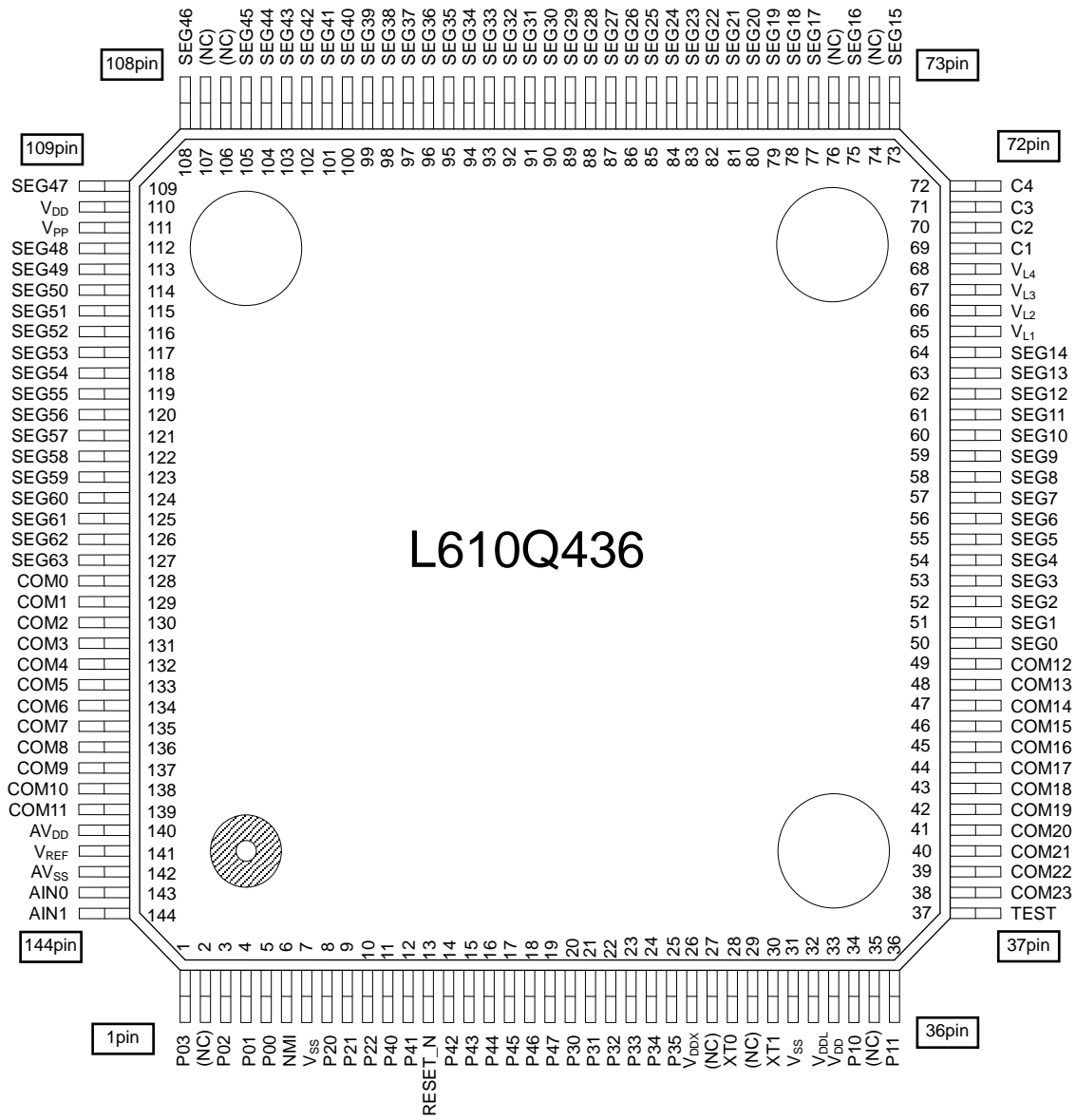
ML610Q435 LQFP144 Pin Layout



(NC): No Connection

Figure 3 ML610Q435 LQFP144 Pin Configuration

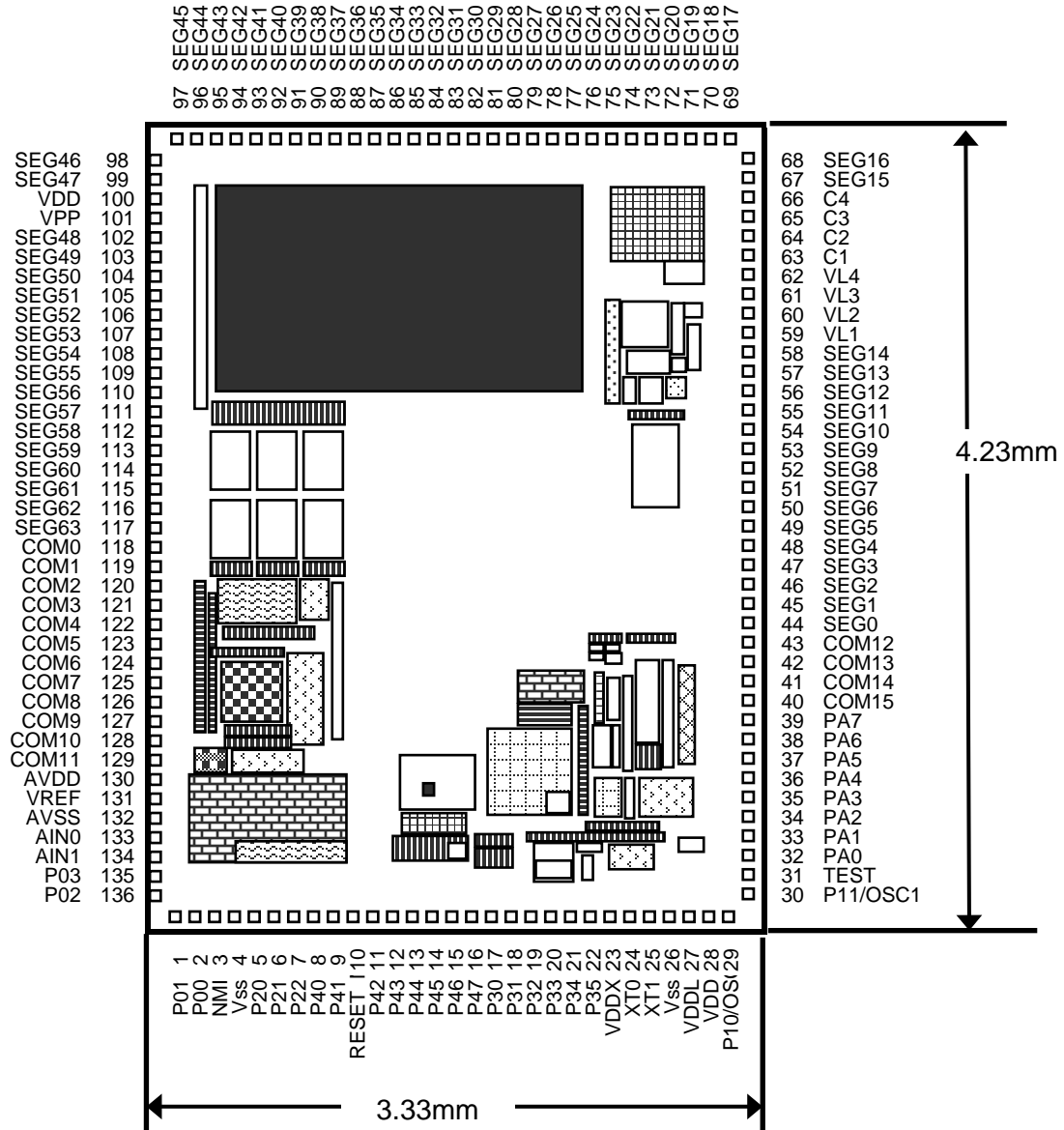
ML610Q436 LQFP144 Pin Layout



(NC): No Connection

Figure 4 ML610Q436 LQFP144 Pin Configuration

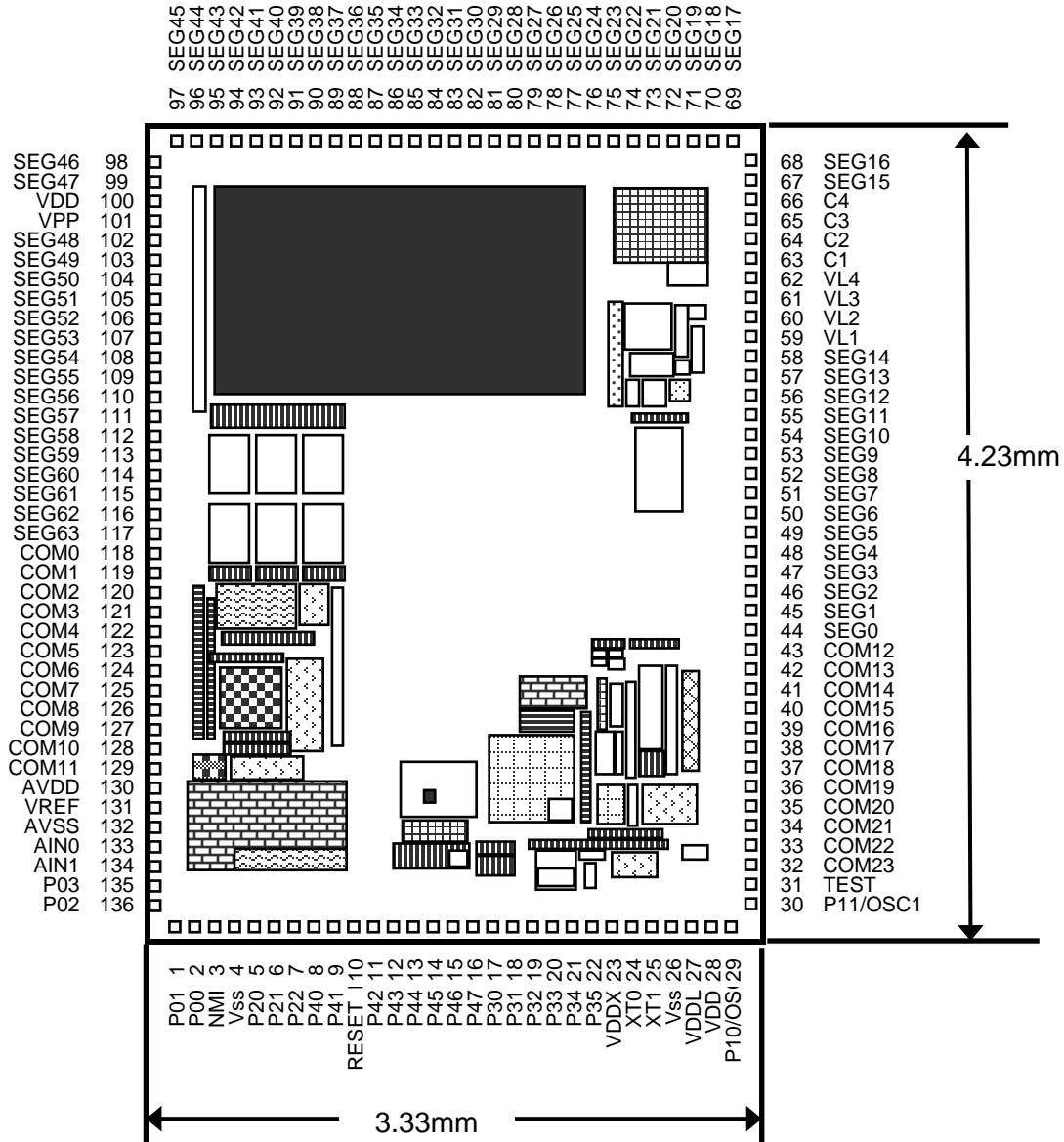
ML610Q435 Chip Pin Layout & Dimension



| | |
|-----------------------------------|-----------------------|
| Chip size: | 3.33 mm × 4.23 mm |
| PAD count: | 136 pins |
| Minimum PAD pitch: | 100 μm |
| PAD aperture: | 80 μm × 80 μm |
| Chip thickness: | 350 μm |
| Voltage of the rear side of chip: | V _{SS} level |

Figure 5 ML610Q435 Chip Layout & Dimension

ML610Q436 Chip Pin Layout & Dimension



Chip size: 3.33 mm × 4.23 mm
 PAD count: 136 pins
 Minimum PAD pitch: 100 μm
 PAD aperture: 80 μm × 80 μm
 Chip thickness: 350 μm
 Voltage of the rear side of chip: V_{SS} level

Figure 6 ML610Q436 Chip Layout & Dimension

ML610Q435 Pad Coordinates

Table 1 ML610Q435 Pad Coordinates

Chip Center: X=0,Y=0

| PAD No. | Pad Name | X (μm) | Y (μm) | PAD No. | Pad Name | X (μm) | Y (μm) | PAD No. | Pad Name | X (μm) | Y (μm) |
|---------|------------------|--------|--------|---------|-----------------|--------|--------|---------|------------------|--------|--------|
| 1 | P01 | -1400 | -1978 | 51 | SEG7 | 1528 | 200 | 101 | V _{PP} | -1528 | 1600 |
| 2 | P00 | -1300 | -1978 | 52 | SEG8 | 1528 | 300 | 102 | SEG48 | -1528 | 1500 |
| 3 | NMI | -1200 | -1978 | 53 | SEG9 | 1528 | 400 | 103 | SEG49 | -1528 | 1400 |
| 4 | V _{SS} | -1100 | -1978 | 54 | SEG10 | 1528 | 500 | 104 | SEG50 | -1528 | 1300 |
| 5 | P20 | -1000 | -1978 | 55 | SEG11 | 1528 | 600 | 105 | SEG51 | -1528 | 1200 |
| 6 | P21 | -900 | -1978 | 56 | SEG12 | 1528 | 700 | 106 | SEG52 | -1528 | 1100 |
| 7 | P22 | -800 | -1978 | 57 | SEG13 | 1528 | 800 | 107 | SEG53 | -1528 | 1000 |
| 8 | P40 | -700 | -1978 | 58 | SEG14 | 1528 | 900 | 108 | SEG54 | -1528 | 900 |
| 9 | P41 | -600 | -1978 | 59 | V _{L1} | 1528 | 1000 | 109 | SEG55 | -1528 | 800 |
| 10 | RESET_N | -500 | -1978 | 60 | V _{L2} | 1528 | 1100 | 110 | SEG56 | -1528 | 700 |
| 11 | P42 | -400 | -1978 | 61 | V _{L3} | 1528 | 1200 | 111 | SEG57 | -1528 | 600 |
| 12 | P43 | -300 | -1978 | 62 | V _{L4} | 1528 | 1300 | 112 | SEG58 | -1528 | 500 |
| 13 | P44 | -200 | -1978 | 63 | C1 | 1528 | 1400 | 113 | SEG59 | -1528 | 400 |
| 14 | P45 | -100 | -1978 | 64 | C2 | 1528 | 1500 | 114 | SEG60 | -1528 | 300 |
| 15 | P46 | 0 | -1978 | 65 | C3 | 1528 | 1600 | 115 | SEG61 | -1528 | 200 |
| 16 | P47 | 100 | -1978 | 66 | C4 | 1528 | 1700 | 116 | SEG62 | -1528 | 100 |
| 17 | P30 | 200 | -1978 | 67 | SEG15 | 1528 | 1800 | 117 | SEG63 | -1528 | 0 |
| 18 | P31 | 300 | -1978 | 68 | SEG16 | 1528 | 1900 | 118 | COM0 | -1528 | -100 |
| 19 | P32 | 400 | -1978 | 69 | SEG17 | 1400 | 1978 | 119 | COM1 | -1528 | -200 |
| 20 | P33 | 500 | -1978 | 70 | SEG18 | 1300 | 1978 | 120 | COM2 | -1528 | -300 |
| 21 | P34 | 600 | -1978 | 71 | SEG19 | 1200 | 1978 | 121 | COM3 | -1528 | -400 |
| 22 | P35 | 700 | -1978 | 72 | SEG20 | 1100 | 1978 | 122 | COM4 | -1528 | -500 |
| 23 | V _{DDX} | 800 | -1978 | 73 | SEG21 | 1000 | 1978 | 123 | COM5 | -1528 | -600 |
| 24 | XT0 | 900 | -1978 | 74 | SEG22 | 900 | 1978 | 124 | COM6 | -1528 | -700 |
| 25 | XT1 | 1000 | -1978 | 75 | SEG23 | 800 | 1978 | 125 | COM7 | -1528 | -800 |
| 26 | V _{SS} | 1100 | -1978 | 76 | SEG24 | 700 | 1978 | 126 | COM8 | -1528 | -900 |
| 27 | V _{DDL} | 1200 | -1978 | 77 | SEG25 | 600 | 1978 | 127 | COM9 | -1528 | -1000 |
| 28 | V _{DD} | 1300 | -1978 | 78 | SEG26 | 500 | 1978 | 128 | COM10 | -1528 | -1100 |
| 29 | P10 | 1400 | -1978 | 79 | SEG27 | 400 | 1978 | 129 | COM11 | -1528 | -1200 |
| 30 | P11 | 1528 | -1900 | 80 | SEG28 | 300 | 1978 | 130 | A _{VDD} | -1528 | -1300 |
| 31 | TEST | 1528 | -1800 | 81 | SEG29 | 200 | 1978 | 131 | V _{REF} | -1528 | -1400 |
| 32 | PA0 | 1528 | -1700 | 82 | SEG30 | 100 | 1978 | 132 | A _{VSS} | -1528 | -1500 |
| 33 | PA1 | 1528 | -1600 | 83 | SEG31 | 0 | 1978 | 133 | AIN0 | -1528 | -1600 |
| 34 | PA2 | 1528 | -1500 | 84 | SEG32 | -100 | 1978 | 134 | AIN1 | -1528 | -1700 |
| 35 | PA3 | 1528 | -1400 | 85 | SEG33 | -200 | 1978 | 135 | P03 | -1528 | -1800 |
| 36 | PA4 | 1528 | -1300 | 86 | SEG34 | -300 | 1978 | 136 | P02 | -1528 | -1900 |
| 37 | PA5 | 1528 | -1200 | 87 | SEG35 | -400 | 1978 | | | | |
| 38 | PA6 | 1528 | -1100 | 88 | SEG36 | -500 | 1978 | | | | |
| 39 | PA7 | 1528 | -1000 | 89 | SEG37 | -600 | 1978 | | | | |
| 40 | COM15 | 1528 | -900 | 90 | SEG38 | -700 | 1978 | | | | |
| 41 | COM14 | 1528 | -800 | 91 | SEG39 | -800 | 1978 | | | | |
| 42 | COM13 | 1528 | -700 | 92 | SEG40 | -900 | 1978 | | | | |
| 43 | COM12 | 1528 | -600 | 93 | SEG41 | -1000 | 1978 | | | | |
| 44 | SEG0 | 1528 | -500 | 94 | SEG42 | -1100 | 1978 | | | | |
| 45 | SEG1 | 1528 | -400 | 95 | SEG43 | -1200 | 1978 | | | | |
| 46 | SEG2 | 1528 | -300 | 96 | SEG44 | -1300 | 1978 | | | | |
| 47 | SEG3 | 1528 | -200 | 97 | SEG45 | -1400 | 1978 | | | | |
| 48 | SEG4 | 1528 | -100 | 98 | SEG46 | -1528 | 1900 | | | | |
| 49 | SEG5 | 1528 | 0 | 99 | SEG47 | -1528 | 1800 | | | | |
| 50 | SEG6 | 1528 | 100 | 100 | V _{DD} | -1528 | 1700 | | | | |

ML610Q436 Pad Coordinates

Table 2 ML610Q436 Pad Coordinates

Chip Center: X=0,Y=0

| PAD No. | Pad Name | X (μm) | Y (μm) | PAD No. | Pad Name | X (μm) | Y (μm) | PAD No. | Pad Name | X (μm) | Y (μm) |
|---------|------------------|--------|--------|---------|-----------------|--------|--------|---------|------------------|--------|--------|
| 1 | P01 | -1400 | -1978 | 51 | SEG7 | 1528 | 200 | 101 | V _{PP} | -1528 | 1600 |
| 2 | P00 | -1300 | -1978 | 52 | SEG8 | 1528 | 300 | 102 | SEG48 | -1528 | 1500 |
| 3 | NMI | -1200 | -1978 | 53 | SEG9 | 1528 | 400 | 103 | SEG49 | -1528 | 1400 |
| 4 | V _{SS} | -1100 | -1978 | 54 | SEG10 | 1528 | 500 | 104 | SEG50 | -1528 | 1300 |
| 5 | P20 | -1000 | -1978 | 55 | SEG11 | 1528 | 600 | 105 | SEG51 | -1528 | 1200 |
| 6 | P21 | -900 | -1978 | 56 | SEG12 | 1528 | 700 | 106 | SEG52 | -1528 | 1100 |
| 7 | P22 | -800 | -1978 | 57 | SEG13 | 1528 | 800 | 107 | SEG53 | -1528 | 1000 |
| 8 | P40 | -700 | -1978 | 58 | SEG14 | 1528 | 900 | 108 | SEG54 | -1528 | 900 |
| 9 | P41 | -600 | -1978 | 59 | V _{L1} | 1528 | 1000 | 109 | SEG55 | -1528 | 800 |
| 10 | RESET_N | -500 | -1978 | 60 | V _{L2} | 1528 | 1100 | 110 | SEG56 | -1528 | 700 |
| 11 | P42 | -400 | -1978 | 61 | V _{L3} | 1528 | 1200 | 111 | SEG57 | -1528 | 600 |
| 12 | P43 | -300 | -1978 | 62 | V _{L4} | 1528 | 1300 | 112 | SEG58 | -1528 | 500 |
| 13 | P44 | -200 | -1978 | 63 | C1 | 1528 | 1400 | 113 | SEG59 | -1528 | 400 |
| 14 | P45 | -100 | -1978 | 64 | C2 | 1528 | 1500 | 114 | SEG60 | -1528 | 300 |
| 15 | P46 | 0 | -1978 | 65 | C3 | 1528 | 1600 | 115 | SEG61 | -1528 | 200 |
| 16 | P47 | 100 | -1978 | 66 | C4 | 1528 | 1700 | 116 | SEG62 | -1528 | 100 |
| 17 | P30 | 200 | -1978 | 67 | SEG15 | 1528 | 1800 | 117 | SEG63 | -1528 | 0 |
| 18 | P31 | 300 | -1978 | 68 | SEG16 | 1528 | 1900 | 118 | COM0 | -1528 | -100 |
| 19 | P32 | 400 | -1978 | 69 | SEG17 | 1400 | 1978 | 119 | COM1 | -1528 | -200 |
| 20 | P33 | 500 | -1978 | 70 | SEG18 | 1300 | 1978 | 120 | COM2 | -1528 | -300 |
| 21 | P34 | 600 | -1978 | 71 | SEG19 | 1200 | 1978 | 121 | COM3 | -1528 | -400 |
| 22 | P35 | 700 | -1978 | 72 | SEG20 | 1100 | 1978 | 122 | COM4 | -1528 | -500 |
| 23 | V _{DDX} | 800 | -1978 | 73 | SEG21 | 1000 | 1978 | 123 | COM5 | -1528 | -600 |
| 24 | XT0 | 900 | -1978 | 74 | SEG22 | 900 | 1978 | 124 | COM6 | -1528 | -700 |
| 25 | XT1 | 1000 | -1978 | 75 | SEG23 | 800 | 1978 | 125 | COM7 | -1528 | -800 |
| 26 | V _{SS} | 1100 | -1978 | 76 | SEG24 | 700 | 1978 | 126 | COM8 | -1528 | -900 |
| 27 | V _{DDL} | 1200 | -1978 | 77 | SEG25 | 600 | 1978 | 127 | COM9 | -1528 | -1000 |
| 28 | V _{DD} | 1300 | -1978 | 78 | SEG26 | 500 | 1978 | 128 | COM10 | -1528 | -1100 |
| 29 | P10 | 1400 | -1978 | 79 | SEG27 | 400 | 1978 | 129 | COM11 | -1528 | -1200 |
| 30 | P11 | 1528 | -1900 | 80 | SEG28 | 300 | 1978 | 130 | A _{VDD} | -1528 | -1300 |
| 31 | TEST | 1528 | -1800 | 81 | SEG29 | 200 | 1978 | 131 | V _{REF} | -1528 | -1400 |
| 32 | COM23 | 1528 | -1700 | 82 | SEG30 | 100 | 1978 | 132 | A _{VSS} | -1528 | -1500 |
| 33 | COM22 | 1528 | -1600 | 83 | SEG31 | 0 | 1978 | 133 | AIN0 | -1528 | -1600 |
| 34 | COM21 | 1528 | -1500 | 84 | SEG32 | -100 | 1978 | 134 | AIN1 | -1528 | -1700 |
| 35 | COM20 | 1528 | -1400 | 85 | SEG33 | -200 | 1978 | 135 | P03 | -1528 | -1800 |
| 36 | COM19 | 1528 | -1300 | 86 | SEG34 | -300 | 1978 | 136 | P02 | -1528 | -1900 |
| 37 | COM18 | 1528 | -1200 | 87 | SEG35 | -400 | 1978 | | | | |
| 38 | COM17 | 1528 | -1100 | 88 | SEG36 | -500 | 1978 | | | | |
| 39 | COM16 | 1528 | -1000 | 89 | SEG37 | -600 | 1978 | | | | |
| 40 | COM15 | 1528 | -900 | 90 | SEG38 | -700 | 1978 | | | | |
| 41 | COM14 | 1528 | -800 | 91 | SEG39 | -800 | 1978 | | | | |
| 42 | COM13 | 1528 | -700 | 92 | SEG40 | -900 | 1978 | | | | |
| 43 | COM12 | 1528 | -600 | 93 | SEG41 | -1000 | 1978 | | | | |
| 44 | SEG0 | 1528 | -500 | 94 | SEG42 | -1100 | 1978 | | | | |
| 45 | SEG1 | 1528 | -400 | 95 | SEG43 | -1200 | 1978 | | | | |
| 46 | SEG2 | 1528 | -300 | 96 | SEG44 | -1300 | 1978 | | | | |
| 47 | SEG3 | 1528 | -200 | 97 | SEG45 | -1400 | 1978 | | | | |
| 48 | SEG4 | 1528 | -100 | 98 | SEG46 | -1528 | 1900 | | | | |
| 49 | SEG5 | 1528 | 0 | 99 | SEG47 | -1528 | 1800 | | | | |
| 50 | SEG6 | 1528 | 100 | 100 | V _{DD} | -1528 | 1700 | | | | |

PIN LIST

| PAD No. | | Primary function | | | Secondary function | | | Tertiary function | | |
|---------|---------|--------------------|-----|---|--------------------|-----|----------|-------------------|-----|----------|
| Q435 | Q436 | Pin name | I/O | Function | Pin name | I/O | Function | Pin name | I/O | Function |
| 4,26 | 4,26 | V _{SS} | — | Negative power supply pin | — | — | — | — | — | — |
| 28, 100 | 28, 100 | V _{DD} | — | Positive power supply pin | — | — | — | — | — | — |
| 27 | 27 | V _{DDL} | — | Power supply pin for internal logic (internally generated) | — | — | — | — | — | — |
| 23 | 23 | V _{DDX} | — | Power supply pin for low-speed oscillation (internally generated) | — | — | — | — | — | — |
| 101 | 101 | V _{PP} | — | Power supply pin for Flash ROM | — | — | — | — | — | — |
| 132 | 132 | AV _{SS} | — | Negative power supply pin for successive approximation type ADC | — | — | — | — | — | — |
| 130 | 130 | AV _{DD} | — | Positive power supply pin for successive approximation type ADC | — | — | — | — | — | — |
| 59 | 59 | V _{L1} | — | Power supply pin for LCD bias (internally generated) | — | — | — | — | — | — |
| 60 | 60 | V _{L2} | — | Power supply pin for LCD bias (internally generated) | — | — | — | — | — | — |
| 61 | 61 | V _{L3} | — | Power supply pin for LCD bias (internally generated) | — | — | — | — | — | — |
| 62 | 62 | V _{L4} | — | Power supply pin for LCD bias (internally generated) | — | — | — | — | — | — |
| 63 | 63 | C1 | — | Capacitor connection pin for LCD bias generation | — | — | — | — | — | — |
| 64 | 64 | C2 | — | Capacitor connection pin for LCD bias generation | — | — | — | — | — | — |
| 65 | 65 | C3 | — | Capacitor connection pin for LCD bias generation | — | — | — | — | — | — |
| 66 | 66 | C4 | — | Capacitor connection pin for LCD bias generation | — | — | — | — | — | — |
| 31 | 31 | TEST | I/O | Input/output pin for testing | — | — | — | — | — | — |
| 10 | 10 | RESET _N | I | Reset input pin | — | — | — | — | — | — |
| 24 | 24 | XT0 | I | Low-speed clock oscillation pin | — | — | — | — | — | — |
| 25 | 25 | XT1 | O | Low-speed clock oscillation pin | — | — | — | — | — | — |
| 131 | 131 | V _{REF} | — | Reference power supply pin for successive approximation type ADC | — | — | — | — | — | — |

| PAD No. | | Primary function | | | Secondary function | | | Tertiary function | | |
|---------|------|------------------|-----|--|--------------------|-----|---|-------------------|-----|-------------------------|
| Q435 | Q436 | Pin name | I/O | Function | Pin name | I/O | Function | Pin name | I/O | Function |
| 133 | 133 | AIN0 | I | Successive approximation type ADC input | — | — | — | — | — | — |
| 134 | 134 | AIN1 | I | Successive approximation type ADC input | — | — | — | — | — | — |
| 3 | 3 | NMI | I | Non-maskable interrupt pin | — | — | — | — | — | — |
| 2 | 2 | P00/EXI0/CAP0 | I | Input port, External interrupt 0, Capture 0 input | — | — | — | — | — | — |
| 1 | 1 | P01/EXI1/CAP1 | I | Input port, External interrupt 1, Capture 1 input | — | — | — | — | — | — |
| 136 | 136 | P02/EXI2/RXD0 | I | Input port, External interrupt 2, UART0 receive | — | — | — | — | — | — |
| 135 | 135 | P03/EXI3 | I | Input port, External interrupt 3 | — | — | — | — | — | — |
| 29 | 29 | P10 | I | Input port | OSC0 | I | High-speed oscillation | — | — | — |
| 30 | 30 | P11 | I | Input port | OSC1 | O | High-speed oscillation | — | — | — |
| 5 | 5 | P20/LED0 | O | Output port | LSCLK | O | Low-speed clock output | — | — | — |
| 6 | 6 | P21/LED1 | O | Output port | OUTCLK | O | High-speed clock output | — | — | — |
| 7 | 7 | P22/LED2 | O | Output port | MD0 | O | Melody output | — | — | — |
| 17 | 17 | P30 | I/O | Input/output port | IN0 | I | RC type ADC0 oscillation input pin | — | — | — |
| 18 | 18 | P31 | I/O | Input/output port | CS0 | O | RC type ADC0 reference capacitor connection pin | — | — | — |
| 19 | 19 | P32 | I/O | Input/output port | RS0 | O | RC type ADC0 reference resistor connection pin | — | — | — |
| 20 | 20 | P33 | I/O | Input/output port | RT0 | O | RC type ADC0 resistor sensor connection pin | — | — | — |
| 21 | 21 | P34 | I/O | Input/output port | RCT0 | O | RC type ADC0 resistor/capacitor sensor connection pin | PWM0 | O | PWM output |
| 22 | 22 | P35 | I/O | Input/output port | RCM | O | RC type ADC oscillation monitor | — | — | — |
| 8 | 8 | P40 | I/O | Input/output port | SDA | I/O | I ² C data input/output | SIN0 | I | SSIO data input |
| 9 | 9 | P41 | I/O | Input/output port | SCL | I/O | I ² C clock input/output | SCK0 | I/O | SSIO synchronous clock |
| 11 | 11 | P42 | I/O | Input/output port | RXD0 | I | UART data input | SOUT0 | O | SSIO data output |
| 12 | 12 | P43 | I/O | Input/output port | TXD0 | O | UART data output | PWM0 | O | PWM output |
| 13 | 13 | P44/T02 P0CK | I/O | Input/output port, Timer 0/Timer 2/PWM0 external clock input | IN1 | I | RC type ADC1 oscillation input pin | SIN0 | I | SSIO0 data input |
| 14 | 14 | P45/T13 P1CK | I/O | Input/output port, Timer 1/Timer 3 external clock input | CS1 | O | RC type ADC1 reference capacitor connection pin | SCK0 | I/O | SSIO0 synchronous clock |
| 15 | 15 | P46 | I/O | Input/output port | RS1 | O | RC type ADC1 reference resistor connection pin | SOUT0 | O | SSIO0 data output |
| 16 | 16 | P47 | I/O | Input/output port | RT1 | O | RC type ADC1 resistor sensor connection pin | — | — | — |
| — | 32 | PA0 | I/O | Input/output port | — | — | — | — | — | — |
| — | 33 | PA1 | I/O | Input/output port | — | — | — | — | — | — |
| — | 34 | PA2 | I/O | Input/output port | — | — | — | — | — | — |
| — | 35 | PA3 | I/O | Input/output port | — | — | — | — | — | — |
| — | 36 | PA4 | I/O | Input/output port | — | — | — | — | — | — |
| — | 37 | PA5 | I/O | Input/output port | — | — | — | — | — | — |

| PAD No. | | Primary function | | | Secondary function | | | Tertiary function | | |
|---------|------|------------------|-----|-------------------|--------------------|-----|----------|-------------------|-----|----------|
| Q435 | Q436 | Pin name | I/O | Function | Pin name | I/O | Function | Pin name | I/O | Function |
| — | 38 | PA6 | I/O | Input/output port | — | — | — | — | — | — |
| — | 39 | PA7 | I/O | Input/output port | — | — | — | — | — | — |
| 118 | 118 | COM0 | O | LCD common pin | — | — | — | — | — | — |
| 119 | 119 | COM1 | O | LCD common pin | — | — | — | — | — | — |
| 120 | 120 | COM2 | O | LCD common pin | — | — | — | — | — | — |
| 121 | 121 | COM3 | O | LCD common pin | — | — | — | — | — | — |
| 122 | 122 | COM4 | O | LCD common pin | — | — | — | — | — | — |
| 123 | 123 | COM5 | O | LCD common pin | — | — | — | — | — | — |
| 124 | 124 | COM6 | O | LCD common pin | — | — | — | — | — | — |
| 125 | 125 | COM7 | O | LCD common pin | — | — | — | — | — | — |
| 126 | 126 | COM8 | O | LCD common pin | — | — | — | — | — | — |
| 127 | 127 | COM9 | O | LCD common pin | — | — | — | — | — | — |
| 128 | 128 | COM10 | O | LCD common pin | — | — | — | — | — | — |
| 129 | 129 | COM11 | O | LCD common pin | — | — | — | — | — | — |
| 43 | 43 | COM12 | O | LCD common pin | — | — | — | — | — | — |
| 42 | 42 | COM13 | O | LCD common pin | — | — | — | — | — | — |
| 41 | 41 | COM14 | O | LCD common pin | — | — | — | — | — | — |
| 40 | 40 | COM15 | O | LCD common pin | — | — | — | — | — | — |
| 39 | — | COM16 | O | LCD common pin | — | — | — | — | — | — |
| 38 | — | COM17 | O | LCD common pin | — | — | — | — | — | — |
| 37 | — | COM18 | O | LCD common pin | — | — | — | — | — | — |
| 36 | — | COM19 | O | LCD common pin | — | — | — | — | — | — |
| 35 | — | COM20 | O | LCD common pin | — | — | — | — | — | — |
| 34 | — | COM21 | O | LCD common pin | — | — | — | — | — | — |
| 33 | — | COM22 | O | LCD common pin | — | — | — | — | — | — |
| 32 | — | COM23 | O | LCD common pin | — | — | — | — | — | — |
| 44 | 44 | SEG0 | O | LCD segment pin | — | — | — | — | — | — |
| 45 | 45 | SEG1 | O | LCD segment pin | — | — | — | — | — | — |
| 46 | 46 | SEG2 | O | LCD segment pin | — | — | — | — | — | — |
| 47 | 47 | SEG3 | O | LCD segment pin | — | — | — | — | — | — |
| 48 | 48 | SEG4 | O | LCD segment pin | — | — | — | — | — | — |
| 49 | 49 | SEG5 | O | LCD segment pin | — | — | — | — | — | — |
| 50 | 50 | SEG6 | O | LCD segment pin | — | — | — | — | — | — |
| 51 | 51 | SEG7 | O | LCD segment pin | — | — | — | — | — | — |
| 52 | 52 | SEG8 | O | LCD segment pin | — | — | — | — | — | — |
| 53 | 53 | SEG9 | O | LCD segment pin | — | — | — | — | — | — |
| 54 | 54 | SEG10 | O | LCD segment pin | — | — | — | — | — | — |
| 55 | 55 | SEG11 | O | LCD segment pin | — | — | — | — | — | — |
| 56 | 56 | SEG12 | O | LCD segment pin | — | — | — | — | — | — |
| 57 | 57 | SEG13 | O | LCD segment pin | — | — | — | — | — | — |
| 58 | 58 | SEG14 | O | LCD segment pin | — | — | — | — | — | — |
| 67 | 67 | SEG15 | O | LCD segment pin | — | — | — | — | — | — |
| 68 | 68 | SEG16 | O | LCD segment pin | — | — | — | — | — | — |
| 69 | 69 | SEG17 | O | LCD segment pin | — | — | — | — | — | — |
| 70 | 70 | SEG18 | O | LCD segment pin | — | — | — | — | — | — |
| 71 | 71 | SEG19 | O | LCD segment pin | — | — | — | — | — | — |
| 72 | 72 | SEG20 | O | LCD segment pin | — | — | — | — | — | — |
| 73 | 73 | SEG21 | O | LCD segment pin | — | — | — | — | — | — |
| 74 | 74 | SEG22 | O | LCD segment pin | — | — | — | — | — | — |
| 75 | 75 | SEG23 | O | LCD segment pin | — | — | — | — | — | — |
| 76 | 76 | SEG24 | O | LCD segment pin | — | — | — | — | — | — |
| 77 | 77 | SEG25 | O | LCD segment pin | — | — | — | — | — | — |
| 78 | 78 | SEG26 | O | LCD segment pin | — | — | — | — | — | — |

| PAD No. | | Primary function | | | Secondary function | | | Tertiary function | | |
|---------|------|------------------|-----|-----------------|--------------------|-----|----------|-------------------|-----|----------|
| Q435 | Q436 | Pin name | I/O | Function | Pin name | I/O | Function | Pin name | I/O | Function |
| 79 | 79 | SEG27 | O | LCD segment pin | — | — | — | — | — | — |
| 80 | 80 | SEG28 | O | LCD segment pin | — | — | — | — | — | — |
| 81 | 81 | SEG29 | O | LCD segment pin | — | — | — | — | — | — |
| 82 | 82 | SEG30 | O | LCD segment pin | — | — | — | — | — | — |
| 83 | 83 | SEG31 | O | LCD segment pin | — | — | — | — | — | — |
| 84 | 84 | SEG32 | O | LCD segment pin | — | — | — | — | — | — |
| 85 | 85 | SEG33 | O | LCD segment pin | — | — | — | — | — | — |
| 86 | 86 | SEG34 | O | LCD segment pin | — | — | — | — | — | — |
| 87 | 87 | SEG35 | O | LCD segment pin | — | — | — | — | — | — |
| 88 | 88 | SEG36 | O | LCD segment pin | — | — | — | — | — | — |
| 89 | 89 | SEG37 | O | LCD segment pin | — | — | — | — | — | — |
| 90 | 90 | SEG38 | O | LCD segment pin | — | — | — | — | — | — |
| 91 | 91 | SEG39 | O | LCD segment pin | — | — | — | — | — | — |
| 92 | 92 | SEG40 | O | LCD segment pin | — | — | — | — | — | — |
| 93 | 93 | SEG41 | O | LCD segment pin | — | — | — | — | — | — |
| 94 | 94 | SEG42 | O | LCD segment pin | — | — | — | — | — | — |
| 95 | 95 | SEG43 | O | LCD segment pin | — | — | — | — | — | — |
| 96 | 96 | SEG44 | O | LCD segment pin | — | — | — | — | — | — |
| 97 | 97 | SEG45 | O | LCD segment pin | — | — | — | — | — | — |
| 98 | 98 | SEG46 | O | LCD segment pin | — | — | — | — | — | — |
| 99 | 99 | SEG47 | O | LCD segment pin | — | — | — | — | — | — |
| 102 | 102 | SEG48 | O | LCD segment pin | — | — | — | — | — | — |
| 103 | 103 | SEG49 | O | LCD segment pin | — | — | — | — | — | — |
| 104 | 104 | SEG50 | O | LCD segment pin | — | — | — | — | — | — |
| 105 | 105 | SEG51 | O | LCD segment pin | — | — | — | — | — | — |
| 106 | 106 | SEG52 | O | LCD segment pin | — | — | — | — | — | — |
| 107 | 107 | SEG53 | O | LCD segment pin | — | — | — | — | — | — |
| 108 | 108 | SEG54 | O | LCD segment pin | — | — | — | — | — | — |
| 109 | 109 | SEG55 | O | LCD segment pin | — | — | — | — | — | — |
| 110 | 110 | SEG56 | O | LCD segment pin | — | — | — | — | — | — |
| 111 | 111 | SEG57 | O | LCD segment pin | — | — | — | — | — | — |
| 112 | 112 | SEG58 | O | LCD segment pin | — | — | — | — | — | — |
| 113 | 113 | SEG59 | O | LCD segment pin | — | — | — | — | — | — |
| 114 | 114 | SEG60 | O | LCD segment pin | — | — | — | — | — | — |
| 115 | 115 | SEG61 | O | LCD segment pin | — | — | — | — | — | — |
| 116 | 116 | SEG62 | O | LCD segment pin | — | — | — | — | — | — |
| 117 | 117 | SEG63 | O | LCD segment pin | — | — | — | — | — | — |

PIN DESCRIPTION

| Pin name | I/O | Description | Primary/ Secondary/ Tertiary | Logic |
|-----------------------------------|-----|--|------------------------------------|----------|
| System | | | | |
| RESET_N | I | Reset input pin. When this pin is set to a "L" level, system reset mode is set and the internal section is initialized. When this pin is set to a "H" level subsequently, program execution starts. A pull-up resistor is internally connected. | — | Negative |
| XT0 | I | Crystal connection pin for low-speed clock. | — | — |
| XT1 | O | A 32.768 kHz crystal oscillator (see measuring circuit 1) is connected to this pin. Capacitors CDL and CGL are connected across this pin and V _{SS} as required. | — | — |
| OSC0 | I | Crystal/ceramic connection pin for high-speed clock. | Secondary | — |
| OSC1 | O | A crystal or ceramic is connected to this pin (4.1 MHz max.). Capacitors CDH and CGH (see measuring circuit 1) are connected across this pin and V _{SS} . This pin is used as the secondary function of the P10 pin(OSC0) and P11 pin(OSC1). | Secondary | — |
| LSCLK | O | Low-speed clock output pin. This pin is used as the secondary function of the P20 pin. | Secondary | — |
| OUTCLK | O | High-speed clock output pin. This pin is used as the secondary function of the P21 pin. | Secondary | — |
| General-purpose input port | | | | |
| P00-P03 | I | General-purpose input port. Since these pins have secondary functions, the pins cannot be used as a port when the secondary functions are used. | Primary | Positive |
| P10-P11 | I | General-purpose input port. Since these pins have secondary functions, the pins cannot be used as a port when the secondary functions are used. | Primary | Positive |
| General-purpose output port | | | | |
| P20-P22 | O | General-purpose output port. Since these pins have secondary functions, the pins cannot be used as a port when the secondary functions are used. | Primary | Positive |
| General-purpose input/output port | | | | |
| P30-P35 | I/O | General-purpose input/output port. Since these pins have secondary functions, the pins cannot be used as a port when the secondary functions are used. | Primary | Positive |
| P40-P47 | I/O | General-purpose input/output port. Since these pins have secondary functions, the pins cannot be used as a port when the secondary functions are used. | Primary | Positive |
| PA0-PA7 | I/O | General-purpose input/output port. These pins are for the ML610Q435, but are not provided in the ML610Q436. | Primary | Positive |

| Pin name | I/O | Description | Primary/ Secondary/ Tertiary | Logic |
|-------------------------------------|-----|--|------------------------------------|-------------------|
| UART | | | | |
| TXD0 | O | UART data output pin. This pin is used as the secondary function of the P43 pin. | Secondary | Positive |
| RXD0 | I | UART data input pin. This pin is used as the secondary function of the P42 or the primary function of the P02 pin. | Primary/Secondary | Positive |
| I²C bus interface | | | | |
| SDA | I/O | I ² C data input/output pin. This pin is used as the secondary function of the P40 pin. This pin has an NMOS open drain output. When using this pin as a function of the I ² C, externally connect a pull-up resistor. | Secondary | Positive |
| SCL | O | I ² C clock output pin. This pin is used as the secondary function of the P41 pin. This pin has an NMOS open drain output. When using this pin as a function of the I ² C, externally connect a pull-up resistor. | Secondary | Positive |
| Synchronous serial (SSIO) | | | | |
| SCK0 | I/O | Synchronous serial clock input/output pin. This pin is used as the tertiary function of the P41 or P45 pin. | Tertiary | — |
| SIN0 | I | Synchronous serial data input pin. This pin is used as the tertiary function of the P40 or P44 pin. | Tertiary | Positive |
| SOUT0 | O | Synchronous serial data output pin. This pin is used as the tertiary function of the P42 or P46 pin. | Tertiary | Positive |
| PWM | | | | |
| PWM0 | O | PWM0 output pin. This pin is used as the tertiary function of the P43 or P34 pin. | Tertiary | Positive |
| T02P0CK | I | PWM0 external clock input pin. This pin is used as the primary function of the P44 pin. | Primary | — |
| External interrupt | | | | |
| NMI | I | External non-maskable interrupt input pin. An interrupt is generated on both edges. | Primary | Positive/negative |
| EXI0-3 | I | External maskable interrupt input pins. Interrupt enable and edge selection can be performed for each bit by software. These pins are used as the primary functions of the P00-P03 pins. | Primary | Positive/negative |
| Capture | | | | |
| CAP0 | I | Capture trigger input pins. The value of the time base counter is captured in the register synchronously with the interrupt edge selected by software. | Primary | Positive/negative |
| CAP1 | I | These pins are used as the primary functions of the P00 pin(CAP0) and P01 pin(CAP1). | Primary | Positive/negative |
| Timer | | | | |
| T02P0CK | I | External clock input pin used for both Timer 0 and Timer 2. The clocks for these timers are selected by software. This pin is used as the primary function of the P44 pin. | Primary | — |
| T13P1CK | I | External clock input pin used for both Timer 1 and Timer 3. The clocks for these timers are selected by software. This pin is used as the primary function of the P45 pin. | Primary | — |
| Melody | | | | |
| MD0 | O | Melody/buzzer signal output pin. This pin is used as the secondary function of the P22 pin. | Secondary | Positive/negative |
| LED drive | | | | |
| LED0-2 | O | NMOS open drain output pins to drive LED. These pins are used as the primary function of the P20-P22 pins. | Primary | Positive/negative |

| Pin name | I/O | Description | Primary/ Secondary/ Tertiary | Logic |
|--|-----|--|------------------------------------|-------|
| RC oscillation type A/D converter | | | | |
| IN0 | I | Channel 0 oscillation input pin. This pin is used as the secondary function of the P30 pin. | Secondary | — |
| CS0 | O | Channel 0 reference capacitor connection pin. This pin is used as the secondary function of the P31 pin. | Secondary | — |
| RS0 | O | This pin is used as the secondary function of the P32 pin which is the reference resistor connection pin of Channel 0. | Secondary | — |
| RT0 | O | Resistor sensor connection pin of Channel 0 for measurement. This pin is used as the secondary function of the P34 pin. | Secondary | — |
| RCT0 | O | Resistor/capacitor sensor connection pin of Channel 0 for measurement. This pin is used as the secondary function of the P33 pin. | Secondary | — |
| RCM | O | RC oscillation monitor pin. This pin is used as the secondary function of the P35 pin. | Secondary | — |
| IN1 | I | Oscillation input pin of Channel 1. This pin is used as the secondary function of the P44 pin. | Secondary | — |
| CS1 | O | Reference capacitor connection pin of Channel 1. This pin is used as the secondary function of the P45 pin. | Secondary | — |
| RS1 | O | Reference resistor connection pin of Channel 1. This pin is used as the secondary function of the P46 pin. | Secondary | — |
| RT1 | O | Resistor sensor connection pin for measurement of Channel 1. This pin is used as the secondary function of the P47 pin. | Secondary | — |
| Successive approximation type A/D converter | | | | |
| AV _{SS} | — | Negative power supply pin for successive approximation type A/D converter. | — | — |
| AV _{DD} | — | Positive power supply pin for successive approximation type A/D converter. | — | — |
| V _{REF} | — | Reference power supply pin for successive approximation type A/D converter. | — | — |
| AIN0 | I | Channel 0 analog input for successive approximation type A/D converter. | — | — |
| AIN1 | I | Channel 1 analog input for successive approximation type A/D converter. | — | — |
| LCD drive signal | | | | |
| COM0-15 | O | Common output pins. | — | — |
| COM16-23 | O | Common output pins. These pins are for the ML610Q436, but are not provided in the ML610Q435. | — | — |
| SEG0-63 | O | Segment output pin. | — | — |
| LCD driver power supply | | | | |
| V _{L1} | — | Power supply pins for LCD bias (internally generated). Capacitors Ca, Cb, Cc, and Cd (see measuring circuit 1) are connected between V _{SS} and V _{L1} , V _{L2} , V _{L3} , and V _{L4} , respectively. | — | — |
| V _{L2} | — | | — | — |
| V _{L3} | — | | — | — |
| V _{L4} | — | | — | — |
| C1 | — | Power supply pins for LCD bias (internally generated). Capacitors C12 and C34 (see measuring circuit 1) are connected between C1 and C2 and between C3 and C4, respectively. | — | — |
| C2 | — | | — | — |
| C3 | — | | — | — |
| C4 | — | | — | — |
| For testing | | | | |
| TEST | I/O | Input/output pin for testing. A pull-down resistor is internally connected. | — | — |
| Power supply | | | | |
| V _{SS} | — | Negative power supply pin. | — | — |
| V _{DD} | — | Positive power supply pin. | — | — |
| V _{DDL} | — | Positive power supply pin (internally generated) for internal logic. Capacitors CL0 and CL1 (see measuring circuit 1) are connected between this pin and V _{SS} . | — | — |
| V _{DDX} | — | Plus-side power supply pin (internally generated) for low-speed oscillation. Capacitor Cx (see measuring circuit 1) is connected between this pin and V _{SS} . | — | — |
| V _{PP} | — | Power supply pin for programming Flash ROM. A pull-up resistor is internally connected. | — | — |

TERMINATION OF UNUSED PINS

Table 3 shows methods of terminating the unused pins.

Table 3 Termination of Unused Pins

| Pin | Recommended pin termination |
|---|------------------------------------|
| V _{PP} | Open |
| AV _{DD} | V _{SS} |
| AV _{SS} | V _{SS} |
| V _{REF} | V _{SS} |
| AIN0, AIN1 | Open |
| V _{L1} , V _{L2} , V _{L3} , V _{L4} | Open |
| C1, C2, C3, C4 | Open |
| RESET_N | Open |
| TEST | Open |
| NMI | Open |
| P00 to P03 | V _{DD} or V _{SS} |
| P10 to P11 | V _{DD} |
| P20 to P22 | Open |
| P30 to P35 | Open |
| P40 to P47 | Open |
| PA0 to PA7 | Open |
| COM0 to 23 | Open |
| SEG0 to 63 | Open |

Note:

It is recommended to set the unused input ports and input/output ports to the inputs with pull-down resistors/pull-up resistors or the output mode since the supply current may become excessively large if the pins are left open in the high impedance input setting.

ELECTRICAL CHARACTERISTICS

ABSOLUTE MAXIMUM RATINGS

(V_{SS} = AV_{SS} = 0V)

| Parameter | Symbol | Condition | Rating | Unit |
|------------------------|-------------------|--------------------|------------------------------|------|
| Power supply voltage 1 | V _{DD} | Ta = 25°C | -0.3 to +4.6 | V |
| Power supply voltage 2 | AV _{DD} | Ta = 25°C | -0.3 to +4.6 | V |
| Power supply voltage 3 | V _{PP} | Ta = 25°C | -0.3 to +9.5 | V |
| Power supply voltage 4 | V _{DDL} | Ta = 25°C | -0.3 to +3.6 | V |
| Power supply voltage 5 | V _{DDX} | Ta = 25°C | -0.3 to +3.6 | V |
| Power supply voltage 6 | V _{L1} | Ta = 25°C | -0.3 to +1.75 | V |
| Power supply voltage 7 | V _{L2} | Ta = 25°C | -0.3 to +3.5 | V |
| Power supply voltage 8 | V _{L3} | Ta = 25°C | -0.3 to +5.25 | V |
| Power supply voltage 9 | V _{L4} | Ta = 25°C | -0.3 to +7.0 | V |
| Input voltage | V _{IN} | Ta = 25°C | -0.3 to V _{DD} +0.3 | V |
| Output voltage | V _{OUT} | Ta = 25°C | -0.3 to V _{DD} +0.3 | V |
| Output current 1 | I _{OUT1} | Port3-A, Ta = 25°C | -12 to +11 | mA |
| Output current 2 | I _{OUT2} | Port2, Ta = 25°C | -12 to +20 | mA |
| Power dissipation | PD | Ta = 25°C | 122 | mW |
| Storage temperature | T _{STG} | — | -55 to +150 | °C |

RECOMMENDED OPERATING CONDITIONS

(V_{SS} = AV_{SS} = 0V)

| Parameter | Symbol | Condition | Range | Unit |
|---|-------------------------|-------------------------------|-------------|------|
| Operating temperature | T _{OP} | — | -20 to +70 | °C |
| Operating voltage | V _{DD} | — | 1.1 to 3.6 | V |
| | AV _{DD} | — | 2.2 to 3.6 | |
| Operating frequency (CPU) | f _{OP} | V _{DD} = 1.1 to 3.6V | 30k to 36k | Hz |
| | | V _{DD} = 1.3 to 3.6V | 30k to 650k | |
| | | V _{DD} = 1.8 to 3.6V | 30k to 4.2M | |
| Capacitor externally connected to V _{DDL} pin | C _{L0} | — | 1.0±30% | μF |
| | C _{L1} | — | 0.1±30% | |
| Capacitor externally connected to V _{DDX} pin | C _X | — | 0.1±30% | μF |
| Capacitors externally connected to V _{L1, 2, 3, 4} pins | C _{a, b, c, d} | — | 1.0±30% | μF |
| Capacitors externally connected across C1 and C2 pins and across C3 and C4 pins | C _{12, C34} | — | 1.0±30% | μF |

CLOCK GENERATION CIRCUIT OPERATING CONDITIONS

(V_{SS} = 0V)

| Parameter | Symbol | Condition | Rating | | | Unit |
|---|----------------------------------|--|--------|---------------|------|------|
| | | | Min. | Typ. | Max. | |
| Low-speed crystal oscillation frequency | f _{XTL} | — | — | 32.768k | — | Hz |
| Recommended equivalent series resistance value of low-speed crystal oscillation | R _L | — | — | — | 40k | Ω |
| Low-speed crystal oscillation external capacitor ^{*1} | C _{DL} /C _{GL} | C _L =6pF of crystal oscillation ^{*2} | — | 0 | — | pF |
| | | C _L =9pF of crystal oscillation | — | 6 | — | |
| | | C _L =12pF of crystal oscillation | — | 12 | — | |
| High-speed crystal/ceramic oscillation frequency | f _{XTH} | — | — | 4.0M / 4.096M | — | Hz |
| High-speed crystal oscillation external capacitor | C _{DH} | — | — | 24 | — | pF |
| | C _{GH} | — | — | 24 | — | |

^{*1}: The external C_{DL} and C_{GL} need to be adjusted in consideration of variation of internal loading capacitance C_D and C_G, and other additional capacitance such as PCB layout.

^{*2}: When using a crystal oscillator C_L = 6pF, there is a possibility that can not be adjusted by external C_{DL} and C_{GL}.

OPERATING CONDITIONS OF FLASH ROM

(V_{SS} = AV_{SS} = 0V)

| Parameter | Symbol | Condition | Range | Unit |
|-----------------------|------------------|------------------------------|-------------|--------|
| Operating temperature | T _{OP} | At write/erase ^{*1} | 0 to +40 | °C |
| Operating voltage | V _{DD} | At write/erase ^{*1} | 2.75 to 3.6 | V |
| | V _{DDL} | At write/erase ^{*1} | 2.5 to 2.75 | |
| | V _{PP} | At write/erase ^{*1} | 7.7 to 8.3 | |
| Write cycles | C _{EP} | — | 80 | cycles |
| Data retention | Y _{DR} | — | 10 | years |

*1: In addition the power supply to VDD pin and VPP pin, within the range 2.5V to 2.75V has to be supplied to VDDL pin when programming and erasing Flash ROM

DC CHARACTERISTICS (1/5)

(V_{DD} = 1.1 to 3.6V, AV_{DD} = 2.2 to 3.6V, V_{SS} = AV_{SS} = 0V, Ta = -20 to +70°C, unless otherwise specified) (1/5)

| Parameter | Symbol | Condition | Rating | | | Unit | Measuring circuit |
|---|-------------------|--|-------------------|-----------|-------|-----------|-------------------|
| | | | Min. | Typ. | Max. | | |
| 500kHz RC oscillation frequency | f _{RC} | V _{DD} = 1.3 to 3.6V | Ta = 25°C | Typ. -10% | 500 | Typ. +10% | kHz |
| | | | Ta = -20 to +70°C | Typ. -25% | 500 | Typ. +25% | |
| PLL oscillation frequency*4 | f _{PLL} | LSCLK = 32.768kHz V _{DD} = 1.8 to 3.6V | -2.5% | 8.192 | +2.5% | MHz | 1 |
| Low-speed crystal oscillation start time*2 | T _{XTL} | — | — | 0.3 | 2 | s | |
| 500kHz RC oscillation start time | T _{RC} | — | — | 50 | 500 | µs | |
| High-speed crystal oscillation start time*3 | T _{XTH} | V _{DD} = 1.8 to 3.6V | — | 2 | 20 | ms | |
| PLL oscillation start time | T _{PLL} | V _{DD} = 1.8 to 3.6V | — | 1 | 10 | | |
| Low-speed oscillation stop detect time*1 | T _{STOP} | — | 0.2 | 3 | 20 | µs | |
| Reset pulse width | P _{RST} | — | 200 | — | — | | |
| Reset noise elimination pulse width | P _{NRST} | — | — | — | 0.3 | ms | |
| Power-on reset activation power rise time | T _{POR} | — | — | — | 10 | | |

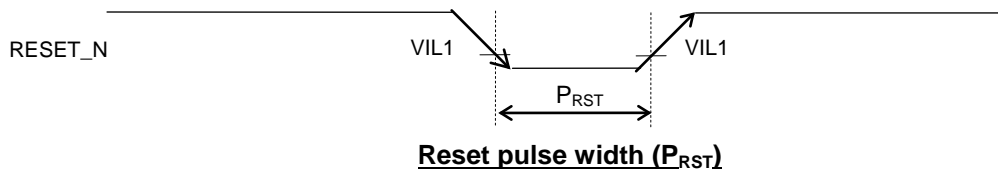
*1: When low-speed crystal oscillation stops for a duration more than the low-speed oscillation stop detect time, the system is reset to shift to system reset mode. "A" version (ML610Q435A/Q436A) don't have this spec.

*2: Use 32.768KHz Crystal Oscillator C-001R (Epson Toyocom) with capacitance C_{GL}/C_{DL} = 0pF.

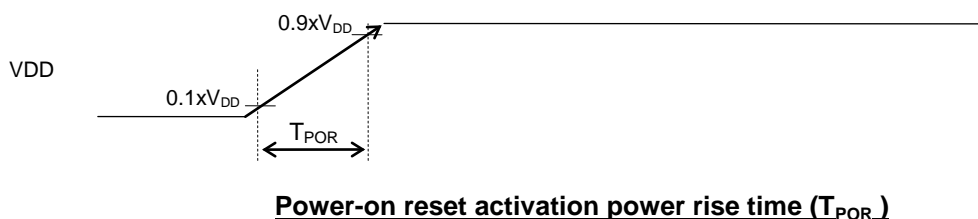
*3: Use 4.096MHz Crystal Oscillator HC49SFWB (Kyocera).

*4: 1024 clock average.

[Reset pulse width]



[Power-on reset activation power rise time]



DC CHARACTERISTICS (2/5)

(V_{DD} = 1.1 to 3.6V, AV_{DD} = 2.2 to 3.6V, V_{SS} = AV_{SS} = 0V, Ta = -20 to +70°C, unless otherwise specified) (2/5)

| Parameter | Symbol | Condition | Rating | | | Unit | Measuring circuit | |
|---------------------------------------|-------------------|---|---------------------------|--------------------|-------------|-------|-------------------|---|
| | | | Min. | Typ. | Max. | | | |
| V _{L1} voltage | V _{L1} | V _{DD} = 3.0V, T _j = 25°C | CN4-0 = 00H | 0.89 | 0.94 | 0.99 | V | 1 |
| | | | CN4-0 = 01H | 0.91 | 0.96 | 1.01 | | |
| | | | CN4-0 = 02H | 0.93 | 0.98 | 1.03 | | |
| | | | CN4-0 = 03H | 0.95 | 1.00 | 1.05 | | |
| | | | CN4-0 = 04H | 0.97 | 1.02 | 1.07 | | |
| | | | CN4-0 = 05H | 0.99 | 1.04 | 1.09 | | |
| | | | CN4-0 = 06H | 1.01 | 1.06 | 1.11 | | |
| | | | CN4-0 = 07H | 1.03 | 1.08 | 1.13 | | |
| | | | CN4-0 = 08H | 1.05 | 1.10 | 1.15 | | |
| | | | CN4-0 = 09H | 1.07 | 1.12 | 1.17 | | |
| | | | CN4-0 = 0AH | 1.09 | 1.14 | 1.19 | | |
| | | | CN4-0 = 0BH | 1.11 | 1.16 | 1.21 | | |
| | | | CN4-0 = 0CH | 1.13 | 1.18 | 1.23 | | |
| | | | CN4-0 = 0DH | 1.15 | 1.20 | 1.25 | | |
| | | | CN4-0 = 0EH | 1.17 | 1.22 | 1.27 | | |
| | | | CN4-0 = 0FH | 1.19 | 1.24 | 1.29 | | |
| | | | CN4-0 = 10H | 1.21 | 1.26 | 1.31 | | |
| | | | CN4-0 = 11H | 1.23 | 1.28 | 1.33 | | |
| | | | CN4-0 = 12H | 1.25 | 1.30 | 1.35 | | |
| | | | CN4-0 = 13H | 1.27 | 1.32 | 1.37 | | |
| | | | CN4-0 = 14H ^{*1} | 1.29 | 1.34 | 1.39 | | |
| | | | CN4-0 = 15H ^{*1} | 1.31 | 1.36 | 1.41 | | |
| | | | CN4-0 = 16H ^{*1} | 1.33 | 1.38 | 1.43 | | |
| | | | CN4-0 = 17H ^{*1} | 1.35 | 1.40 | 1.45 | | |
| CN4-0 = 18H ^{*1} | 1.37 | 1.42 | 1.47 | | | | | |
| CN4-0 = 19H ^{*1} | 1.39 | 1.44 | 1.49 | | | | | |
| CN4-0 = 1AH ^{*1} | 1.41 | 1.46 | 1.51 | | | | | |
| CN4-0 = 1BH ^{*1} | 1.43 | 1.48 | 1.53 | | | | | |
| CN4-0 = 1CH ^{*1} | 1.45 | 1.50 | 1.55 | | | | | |
| CN4-0 = 1DH ^{*1} | 1.47 | 1.52 | 1.57 | | | | | |
| CN4-0 = 1EH ^{*1} | 1.49 | 1.54 | 1.59 | | | | | |
| CN4-0 = 1FH ^{*1} | 1.51 | 1.56 | 1.61 | | | | | |
| V _{L1} temperature deviation | ΔV _{L1} | V _{DD} = 3.0V | — | -1.5 | — | mV/°C | | |
| V _{L1} voltage dependency | ΔV _{L1} | V _{DD} = 1.3 to 3.6V | — | 5 | 20 | mV/V | | |
| V _{L2} voltage | V _{L2} | V _{DD} = 3.0V, T _j = 25°C 300kΩ load (V _{L4} -V _{SS}) | Typ. -10% | V _{L1} ×2 | Typ. +4% | V | | |
| V _{L3} voltage | V _{L3} | V _{DD} = 3.0V, T _j = 25°C 300kΩ load (V _{L4} -V _{SS}) | Typ. -10% | V _{L1} ×2 | Typ. +4% | | | |
| V _{L4} voltage | V _{L4} | | Typ. -10% | V _{L1} ×3 | Typ. +5% | | | |
| | | | | V _{L1} ×4 | | | | |
| LCD bias voltage generation time | T _{BIAS} | — | — | — | 600 | ms | | |

*1: When using 1/4 bias, the V_{L1} voltage is set to typ. 1.32 V (same voltage as in CN4-0 = 13H).

DC CHARACTERISTICS (3/5)

(V_{DD} = 1.1 to 3.6V, AV_{DD} = 2.2 to 3.6V, V_{SS} = AV_{SS} = 0V, Ta = -20 to +70°C, unless otherwise specified) (3/5)

| Parameter | Symbol | Condition | Rating | | | Unit | Measuring circuit | |
|---|-------------------|---|-------------------|-------------|------|-------------|-------------------|----|
| | | | Min. | Typ. | Max. | | | |
| BLD threshold voltage | V _{BLD} | V _{DD} = 1.35 to 3.6V | LD2-0 = 0H | Typ. -2% | 1.35 | Typ. +2% | V | |
| | | | LD2-0 = 1H | | 1.4 | | | |
| | | | LD2-0 = 2H | | 1.45 | | | |
| | | | LD2-0 = 3H | | 1.5 | | | |
| | | | LD2-0 = 4H | | 1.6 | | | |
| | | | LD2-0 = 5H | | 1.7 | | | |
| | | | LD2-0 = 6H | | 1.8 | | | |
| | | | LD2-0 = 7H | | 1.9 | | | |
| | | | LD2-0 = 8H | | 2.0 | | | |
| | | | LD2-0 = 9H | | 2.1 | | | |
| | | | LD2-0 = 0AH | | 2.2 | | | |
| | | | LD2-0 = 0BH | | 2.3 | | | |
| | | | LD2-0 = 0CH | | 2.4 | | | |
| | | | LD2-0 = 0DH | | 2.5 | | | |
| LD2-0 = 0EH | 2.7 | | | | | | | |
| LD2-0 = 0FH | 2.9 | | | | | | | |
| BLD threshold voltage temperature deviation | ΔV _{BLD} | V _{DD} = 1.35 to 3.6V | — | 0.1 | — | %/°C | 1 | |
| Supply current 1 | IDD1 | CPU: In STOP state. Low-speed/high-speed oscillation: stopped. | Ta = 25°C | — | 0.15 | 0.50 | | μA |
| | | | Ta = -20 to +70°C | — | — | 2.50 | | |
| Supply current 2 | IDD2 | CPU: In HALT state (LTBC, RTC: Operating ^{*3*5}). High-speed oscillation: Stopped. LCD/BIAS circuits: Stopped. | Ta = 25°C | — | 0.5 | 1.3 | | μA |
| | | | Ta = -20 to +70°C | — | — | 3.5 | | |
| Supply current 3 | IDD3 | CPU: In 32.768kHz operating state. ^{*1*3} High-speed oscillation: Stopped. LCD/BIAS circuits: Operating. ^{*2} | Ta = 25°C | — | 5 | 7 | | μA |
| | | | Ta = -20 to +70°C | — | — | 12 | | |
| Supply current 4 | IDD4 | CPU: In 500kHz CR operating state. LCD/BIAS circuits: Operating. ^{*2} | Ta = 25°C | — | 70 | 85 | μA | |
| | | | Ta = -20 to +70°C | — | — | 100 | | |
| Supply current 5 | IDD5 | CPU: In 4.096MHz operating state. ^{*2*3} PLL: In oscillating state. LCD/BIAS circuits: Operating. ^{*2} V _{DD} = 1.8 to 3.6V | Ta = 25°C | — | 0.8 | 1.0 | mA | |
| | | | Ta = -20 to +70°C | — | — | 1.2 | | |
| Supply current 6 | IDD6 | CPU: In 4.096MHz operating state. ^{*2} PLL: In oscillating state. ^{*3*4} A/D: In operating state. LCD/BIAS circuits: Operating. ^{*2} V _{DD} = AV _{DD} = 3.0V | Ta = 25°C | — | 1.5 | 1.6 | mA | |
| | | | Ta = -20 to +70°C | — | — | 2.5 | | |

*1: When the CPU operating rate is 100% (No HALT state).

*2: All SEGs: off waveform, No LCD panel load, 1/3 bias, 1/3 duty, Frame frequency: Approx. 64 Hz, Bias voltage multiplying clock: 1/128 LSCLK (256Hz)

*3: Use 32.768KHz Crystal Oscillator C-001R (Epson Toyocom) with capacitance C_{GL}/C_{DL} = 0pF.

*4: Use 4.096MHz Crystal Oscillator HC49SFWB (Kyocera).

*5: Significant bits of BLKCON0~BLKCON4 registers are all "1".

DC CHARACTERISTICS (4/5)

(V_{DD} = 1.1 to 3.6V, AV_{DD} = 2.2 to 3.6V, V_{SS} = AV_{SS} = 0V, Ta = -20 to +70°C, unless otherwise specified) (4/5)

| Parameter | Symbol | Condition | Rating | | | Unit | Measuring circuit | | |
|---|--|--|-------------------------------|------|-------------------------|-------|-------------------|---|---|
| | | | Min. | Typ. | Max. | | | | |
| Output voltage 1 (P20-P22/2 nd function is selected) (P30-P35) (P40-P47) (PA0-PA7) ^{*1} | VOH1 | IOH1 = -0.5mA, V _{DD} = 1.8 to 3.6V | V _{DD} -0.5 | — | — | V | 2 | | |
| | | IOH1 = -0.1mA, V _{DD} = 1.3 to 3.6V | V _{DD} -0.3 | — | — | | | | |
| | | IOH1 = -0.03mA, V _{DD} = 1.1 to 3.6V | V _{DD} -0.3 | — | — | | | | |
| | VOL1 | IOL1 = +0.5mA, V _{DD} = 1.8 to 3.6V | — | — | 0.5 | | | | |
| | | IOL1 = +0.1mA, V _{DD} = 1.3 to 3.6V | — | — | 0.5 | | | | |
| | | IOL1 = +0.03mA, V _{DD} = 1.1 to 3.6V | — | — | 0.3 | | | | |
| Output voltage 2 (P20-P22/2 nd function is Not selected) | VOH2 | IOH1 = -0.5mA, V _{DD} = 1.8 to 3.6V | V _{DD} -0.5 | — | — | V | 2 | | |
| | | IOH1 = -0.1mA, V _{DD} = 1.3 to 3.6V | V _{DD} -0.3 | — | — | | | | |
| | | IOH1 = -0.03mA, V _{DD} = 1.1 to 3.6V | V _{DD} -0.3 | — | — | | | | |
| VOL2 | IOL2 = +5mA, V _{DD} = 1.8 to 3.6V | — | — | 0.5 | | | | | |
| Output voltage 3 (P40-P41) | VOL3 | IOL3 = +3mA, V _{DD} = 2.0 to 3.6V (when I ² C mode is selected) | — | — | 0.4 | | | V | 2 |
| Output voltage 4 (COM0-15) (COM16-23) ^{*2} (SEG0-63) | VOH4 | IOH4 = -0.2mA, VL1=1.2V | V _{L4} -0.2 | — | — | | | | |
| | VOMH4 | IOMH4 = +0.2mA, VL1=1.2V | — | — | V _{L3} +0.2 | | | | |
| | VOMH4S | IOMH4S = -0.2mA, VL1=1.2V | V _{L3} -0.2 | — | — | | | | |
| | VOM4 | IOM4 = +0.2mA, VL1=1.2V | — | — | V _{L2} +0.2 | | | | |
| | VOM4S | IOM4S = -0.2mA, VL1=1.2V | V _{L2} -0.2 | — | — | | | | |
| | VOML4 | IOML4 = +0.2mA, VL1=1.2V | — | — | V _{L1} +0.2 | | | | |
| | VOML4S | IOML4S = -0.2mA, VL1=1.2V | V _{L1} -0.2 | — | — | | | | |
| | VOL4 | IOL4 = +0.2mA, VL1=1.2V | — | — | 0.2 | | | | |
| Output leakage (P20-P22) (P30-P35) (P40-P47) (PA0-PA7) ^{*1} | IOOH | VOH = V _{DD} (in high-impedance state) | — | — | 1 | μA | 3 | | |
| | IOOL | VOL = V _{SS} (in high-impedance state) | -1 | — | — | | | | |
| Input current 1 (RESET_N) | IIH1 | VIH1 = V _{DD} | | 0 | — | 1 | μA | 4 | |
| | IIL1 | VIL1 = V _{SS} | V _{DD} = 1.8 to 3.6V | -600 | -300 | -20 | | | |
| | | | V _{DD} = 1.3 to 3.6V | -600 | -300 | -10 | | | |
| V _{DD} = 1.1 to 3.6V | | | -600 | -300 | -2 | | | | |
| Input current 1 (TEST) | IIH1 | VIH1 = V _{DD} | V _{DD} = 1.8 to 3.6V | 20 | 300 | 600 | | | |
| | | | V _{DD} = 1.3 to 3.6V | 10 | 300 | 600 | | | |
| | | | V _{DD} = 1.1 to 3.6V | 2 | 300 | 600 | | | |
| | IIL1 | VIL1 = V _{SS} | | -1 | — | — | | | |
| Input current 2 (NMI) (P00-P03) (P10-P11) (P30-P35) (P40-P47) (PA0-PA7) ^{*1} | IIH2 | VIH2 = V _{DD} (when pulled-down) | V _{DD} = 1.8 to 3.6V | 2 | 30 | 200 | | | |
| | | | V _{DD} = 1.3 to 3.6V | 0.2 | 30 | 200 | | | |
| | | | V _{DD} = 1.1 to 3.6V | 0.01 | 30 | 200 | | | |
| | IIL2 | VIL2 = V _{SS} (when pulled-up) | V _{DD} = 1.8 to 3.6V | -200 | -30 | -2 | | | |
| | | | V _{DD} = 1.3 to 3.6V | -200 | -30 | -0.2 | | | |
| | | | V _{DD} = 1.1 to 3.6V | -200 | -30 | -0.01 | | | |
| | IIH2Z | VIH2 = V _{DD} (in high-impedance state) | | — | — | 1 | | | |
| | IIL2Z | VIL2 = V _{SS} (in high-impedance state) | | -1 | — | — | | | |

*1: ML610Q435 only

*2: ML610Q436 only

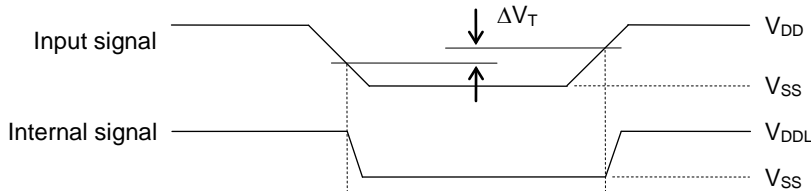
DC CHARACTERISTICS (5/5)

($V_{DD} = 1.1$ to $3.6V$, $AV_{DD} = 2.2$ to $3.6V$, $V_{SS} = AV_{SS} = 0V$, $T_a = -20$ to $+70^\circ C$, unless otherwise specified) (5/5)

| Parameter | Symbol | Condition | Rating | | | Unit | Measuring circuit |
|--|--------------|---|-------------------------|-------------------------|------------------------|------|-------------------|
| | | | Min. | Typ. | Max. | | |
| Input voltage 1 (RESET_N) (TEST) (NMI) (P00–P03) (P10–P11) (P31–P35) (P40–P43) (P45–P47) (PA0–PA7) ^{*1} | VIH1 | $V_{DD} = 1.3$ to $3.6V$ | 0.7 $\times V_{DD}$ | — | V_{DD} | V | 5 |
| | | $V_{DD} = 1.1$ to $3.6V$ | 0.7 $\times V_{DD}$ | — | V_{DD} | | |
| | VIL1 | $V_{DD} = 1.3$ to $3.6V$ | 0 | — | 0.3 $\times V_{DD}$ | | |
| | | $V_{DD} = 1.1$ to $3.6V$ | 0 | — | 0.2 $\times V_{DD}$ | | |
| Hysteresis width (RESET_N) (TEST_N) (NMI) (P00–P03) (P10–P11) (P31–P35) (P40–P43) (P45–P47) (PA0–PA7) ^{*1} | ΔV_T | $V_{DD} = 2.0$ to $3.6V$ | 0.05 $\times V_{DD}$ | 0.18 $\times V_{DD}$ | 0.4 $\times V_{DD}$ | V | 5 |
| | | $V_{DD} = 1.1$ to $3.6V$ | 0.02 $\times V_{DD}$ | 0.18 $\times V_{DD}$ | 0.4 $\times V_{DD}$ | | |
| Input voltage 2 (P30, P44) | VIH2 | — | 0.7 $\times V_{DD}$ | — | V_{DD} | pF | — |
| | VIL2 | — | 0 | — | 0.3 $\times V_{DD}$ | | |
| Input pin capacitance (NMI) (P00–P03) (P10–P11) (P30–P35) (P40–P47) (PA0–PA7) ^{*1} | CIN | f = 10kHz $V_{rms} = 50mV$ $T_a = 25^\circ C$ | — | — | 5 | pF | — |

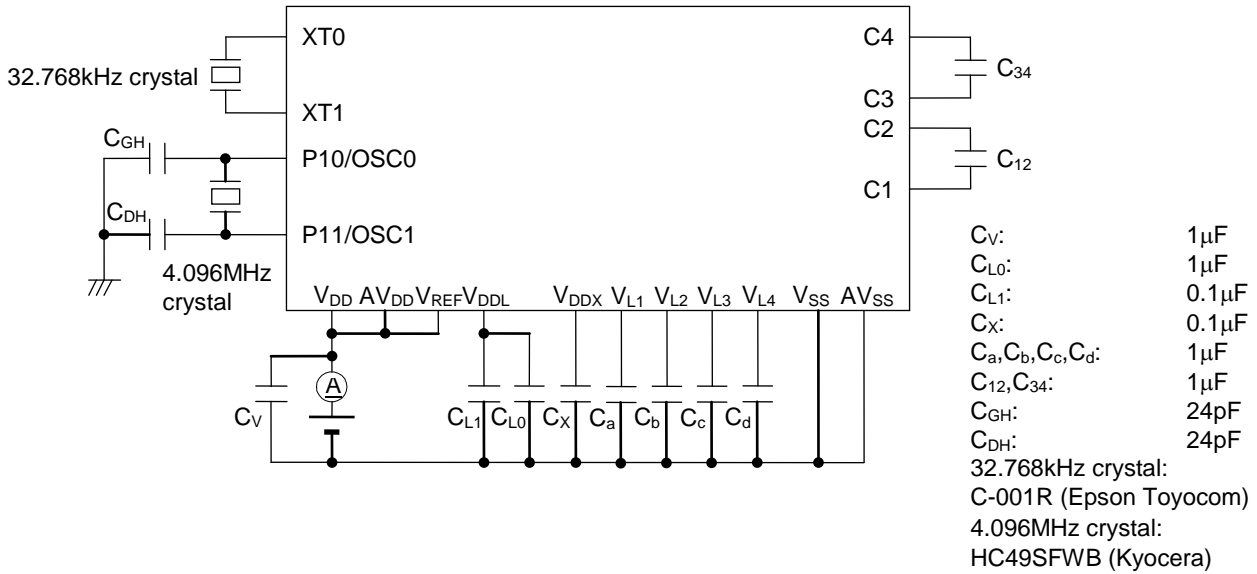
*1: ML610Q435 only

HYSTERESIS WIDTH

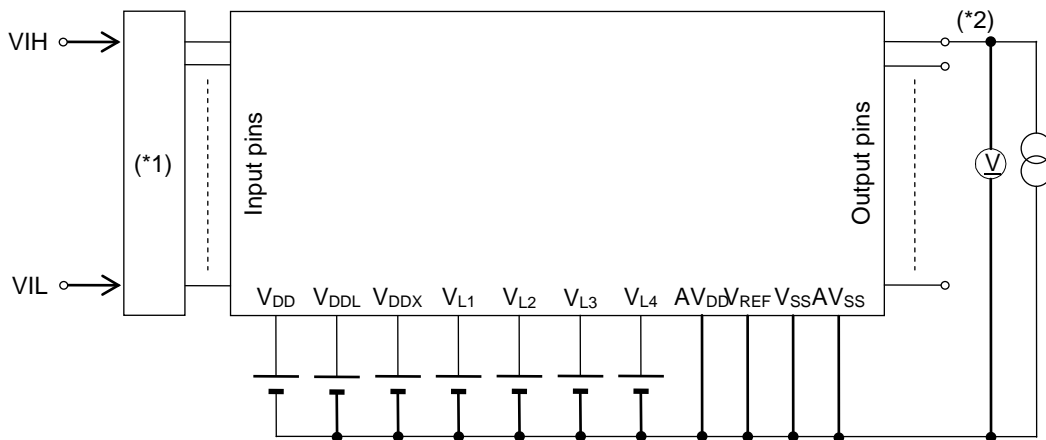


MEASURING CIRCUITS

MEASURING CIRCUIT 1



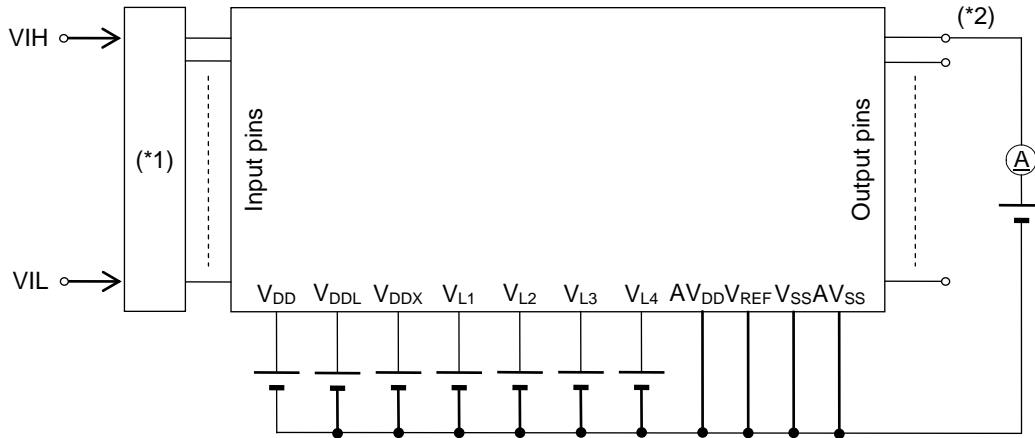
MEASURING CIRCUIT 2



(*1) Input logic circuit to determine the specified measuring conditions.

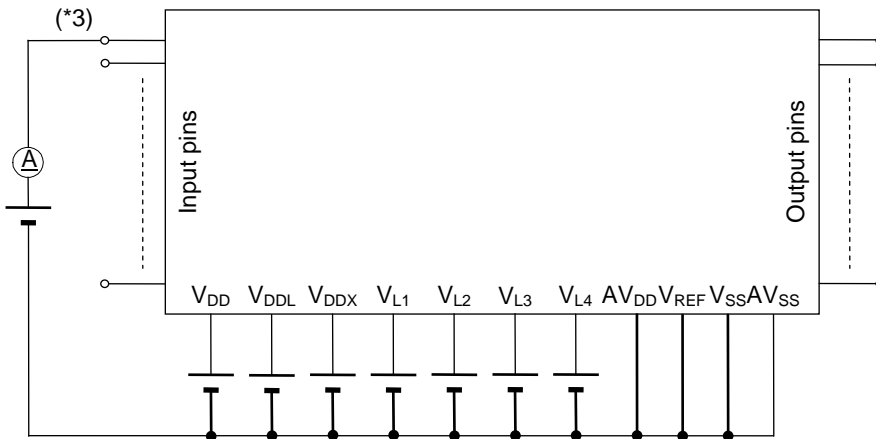
(*2) Measured at the specified output pins.

MEASURING CIRCUIT 3



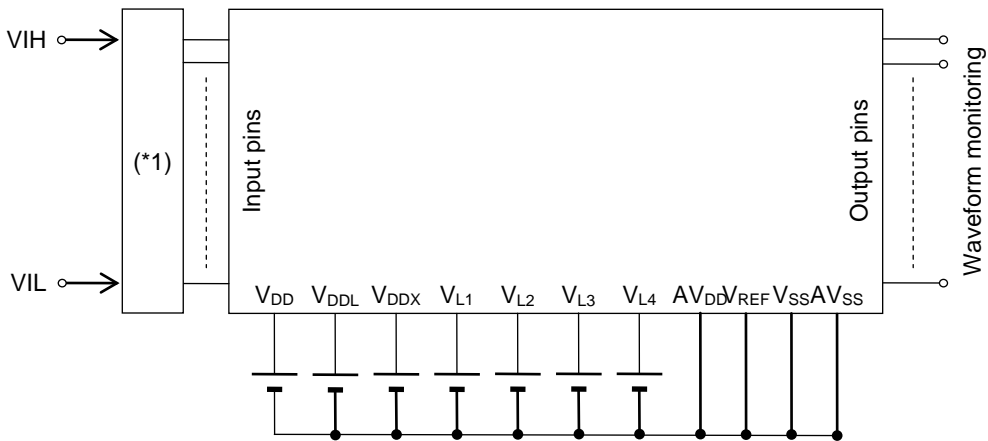
*1: Input logic circuit to determine the specified measuring conditions.
 *2: Measured at the specified output pins.

MEASURING CIRCUIT 4



*3: Measured at the specified output pins.

MEASURING CIRCUIT 5

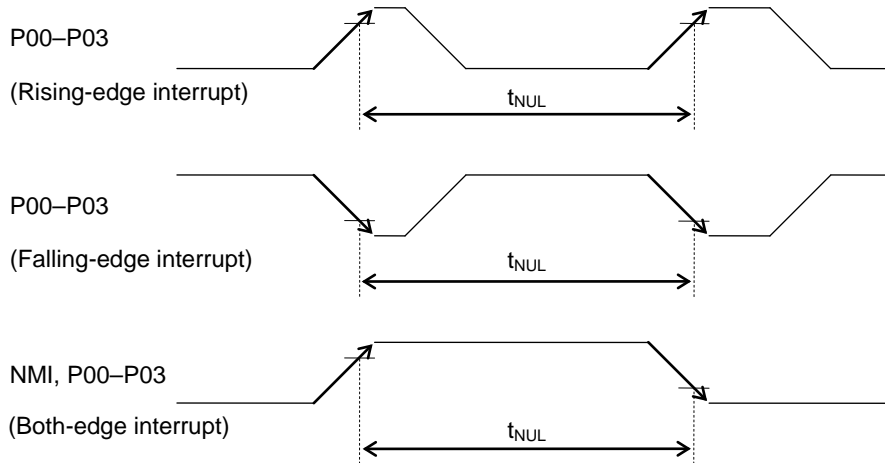


*1: Input logic circuit to determine the specified measuring conditions.

AC CHARACTERISTICS (External Interrupt)

(V_{DD} = 1.1 to 3.6V, AV_{DD} = 2.2 to 3.6V, V_{SS} = AV_{SS} = 0V, Ta = -20 to +70°C, unless otherwise specified)

| Parameter | Symbol | Condition | Rating | | | Unit |
|-----------------------------------|------------------|--|--------|------|-------|------|
| | | | Min. | Typ. | Max. | |
| External interrupt disable period | T _{NUL} | Interrupt: Enabled (MIE = 1), CPU: NOP operation System clock: 32.768kHz | 76.8 | — | 106.8 | μs |

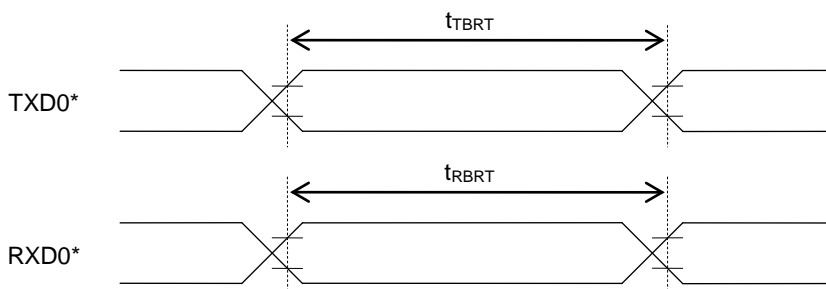


AC CHARACTERISTICS (UART)

(V_{DD} = 1.3 to 3.6V, AV_{DD} = 2.2 to 3.6V, V_{SS} = AV_{SS} = 0V, Ta = -20 to +70°C, unless otherwise specified)

| Parameter | Symbol | Condition | Rating | | | Unit |
|--------------------|-------------------|-----------|--------------------------|-------------------|--------------------------|------|
| | | | Min. | Typ. | Max. | |
| Transmit baud rate | t _{TBRT} | — | — | BRT* ¹ | — | s |
| Receive baud rate | t _{RBRT} | — | BRT* ¹ -3% | BRT* ¹ | BRT* ¹ +3% | s |

*1: Baud rate period (including the error of the clock frequency selected) set with the UART0 baud rate register (UA0BRTL,H) and the UART0 mode register 0 (UA0MOD0).

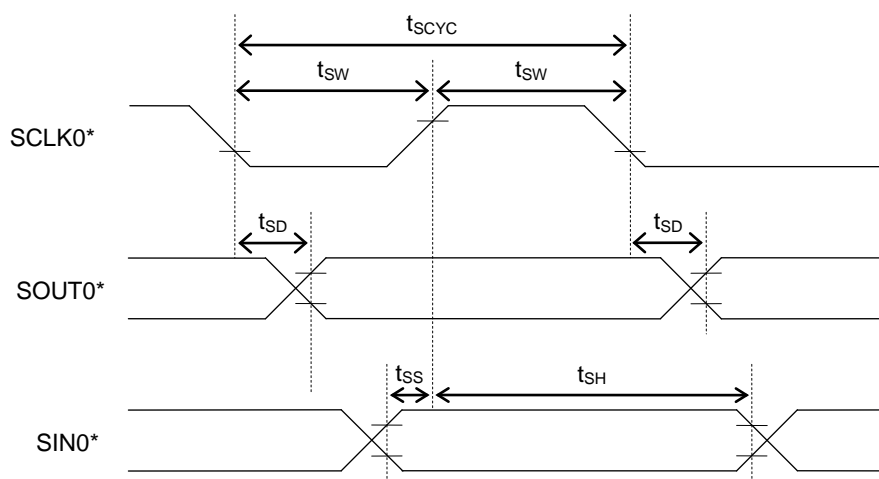


*: Indicates the secondary function of the port.

AC CHARACTERISTICS (Synchronous Serial Port)

(V_{DD} = 1.3 to 3.6V, AV_{DD} = 2.2 to 3.6V, V_{SS} = AV_{SS} = 0V, Ta = -20 to +70°C, unless otherwise specified)

| Parameter | Symbol | Condition | Rating | | | Unit |
|--|-------------------|--|----------------------------|----------------------------|----------------------------|------|
| | | | Min. | Typ. | Max. | |
| SCLK input cycle (slave mode) | t _{SCYC} | When RC oscillation is active* ² (V _{DD} = 1.3 to 3.6V) | 10 | — | — | μs |
| | | When high-speed oscillation is active* ³ (V _{DD} = 1.8 to 3.6V) | 1 | — | — | μs |
| SCLK output cycle (master mode) | t _{SCYC} | — | — | SCLK* ¹ | — | s |
| SCLK input pulse width (slave mode) | t _{SW} | When RC oscillation is active* ² (V _{DD} = 1.3 to 3.6V) | 4 | — | — | μs |
| | | When high-speed oscillation is active* ³ (V _{DD} = 1.8 to 3.6V) | 0.4 | — | — | μs |
| SCLK output pulse width (master mode) | t _{SW} | — | SCLK* ¹ ×0.4 | SCLK* ¹ ×0.5 | SCLK* ¹ ×0.6 | s |
| SOUT output delay time (slave mode) | t _{SD} | When RC oscillation is active* ² (V _{DD} = 1.3 to 3.6V) | — | — | 500 | ns |
| | | When high-speed oscillation is active* ³ (V _{DD} = 1.8 to 3.6V) | — | — | 240 | |
| SOUT output delay time (master mode) | t _{SD} | When RC oscillation is active* ² (V _{DD} = 1.3 to 3.6V) | — | — | 500 | ns |
| | | When high-speed oscillation is active* ³ (V _{DD} = 1.8 to 3.6V) | — | — | 240 | |
| SIN input setup time (slave mode) | t _{SS} | — | 80 | — | — | ns |
| SIN input setup time (master mode) | t _{SS} | When RC oscillation is active* ² (V _{DD} = 1.3 to 3.6V) | 500 | — | — | ns |
| | | When high-speed oscillation is active* ³ (V _{DD} = 1.8 to 3.6V) | 240 | — | — | |
| SIN input hold time | t _{SH} | When RC oscillation is active* ² (V _{DD} = 1.3 to 3.6V) | 300 | — | — | ns |
| | | When high-speed oscillation is active* ³ (V _{DD} = 1.8 to 3.6V) | 80 | — | — | |

*¹: Clock period selected with S0CK3–0 of the serial port 0 mode register (SIO0MOD1)*²: When RC oscillation is selected with OSCM1–0 of the frequency control register (FCON0)*³: When Crystal/ceramic oscillation, built-in PLL oscillation, or external clock input is selected with OSCM1–0 of the frequency control register (FCON0)

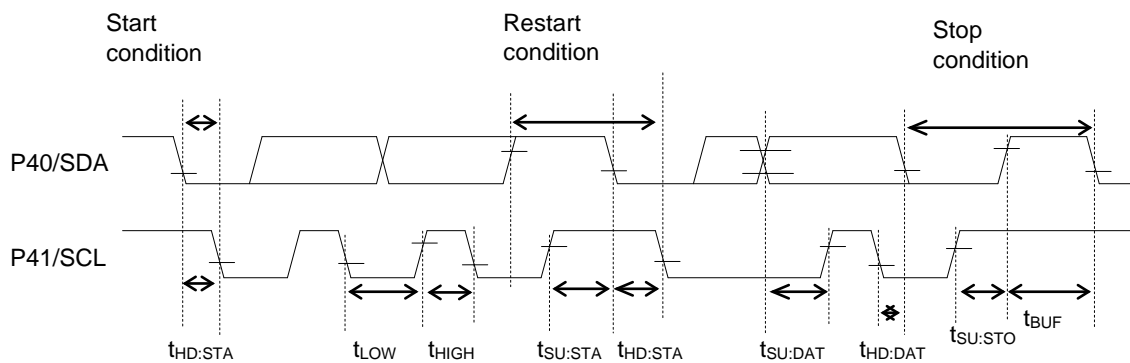
*: Indicates the secondary function of the port.

AC CHARACTERISTICS (I²C Bus Interface: Standard Mode 100kHz)(V_{DD} = 1.8 to 3.6V, AV_{DD} = 2.2 to 3.6V, V_{SS} = AV_{SS} = 0V, Ta = -20 to +70°C, unless otherwise specified)

| Parameter | Symbol | Condition | Rating | | | Unit |
|--|---------------------|-----------|--------|------|------|------|
| | | | Min. | Typ. | Max. | |
| SCL clock frequency | f _{SCL} | — | 0 | — | 100 | kHz |
| SCL hold time (start/restart condition) | t _{HD:STA} | — | 4.0 | — | — | μs |
| SCL "L" level time | t _{LOW} | — | 4.7 | — | — | μs |
| SCL "H" level time | t _{HIGH} | — | 4.0 | — | — | μs |
| SCL setup time (restart condition) | t _{SU:STA} | — | 4.7 | — | — | μs |
| SDA hold time | t _{HD:DAT} | — | 0 | — | 3.45 | μs |
| SDA setup time | t _{SU:DAT} | — | 0.25 | — | — | μs |
| SDA setup time (stop condition) | t _{SU:STO} | — | 4.0 | — | — | μs |
| Bus-free time | t _{BUF} | — | 4.7 | — | — | μs |

AC CHARACTERISTICS (I2C Bus Interface: Fast Mode 400kHz)(V_{DD} = 1.8 to 3.6V, AV_{DD} = 2.2 to 3.6V, V_{SS} = AV_{SS} = 0V, Ta = -20 to +70°C, unless otherwise specified)

| Parameter | Symbol | Condition | Rating | | | Unit |
|--|---------------------|-----------|--------|------|------|------|
| | | | Min. | Typ. | Max. | |
| SCL clock frequency | f _{SCL} | — | 0 | — | 400 | kHz |
| SCL hold time (start/restart condition) | t _{HD:STA} | — | 0.6 | — | — | μs |
| SCL "L" level time | t _{LOW} | — | 1.3 | — | — | μs |
| SCL "H" level time | t _{HIGH} | — | 0.6 | — | — | μs |
| SCL setup time (restart condition) | t _{SU:STA} | — | 0.6 | — | — | μs |
| SDA hold time | t _{HD:DAT} | — | 0 | — | 0.9 | μs |
| SDA setup time | t _{SU:DAT} | — | 0.1 | — | — | μs |
| SDA setup time (stop condition) | t _{SU:STO} | — | 0.6 | — | — | μs |
| Bus-free time | t _{BUF} | — | 1.3 | — | — | μs |



AC CHARACTERISTICS (RC Oscillation A/D Converter)

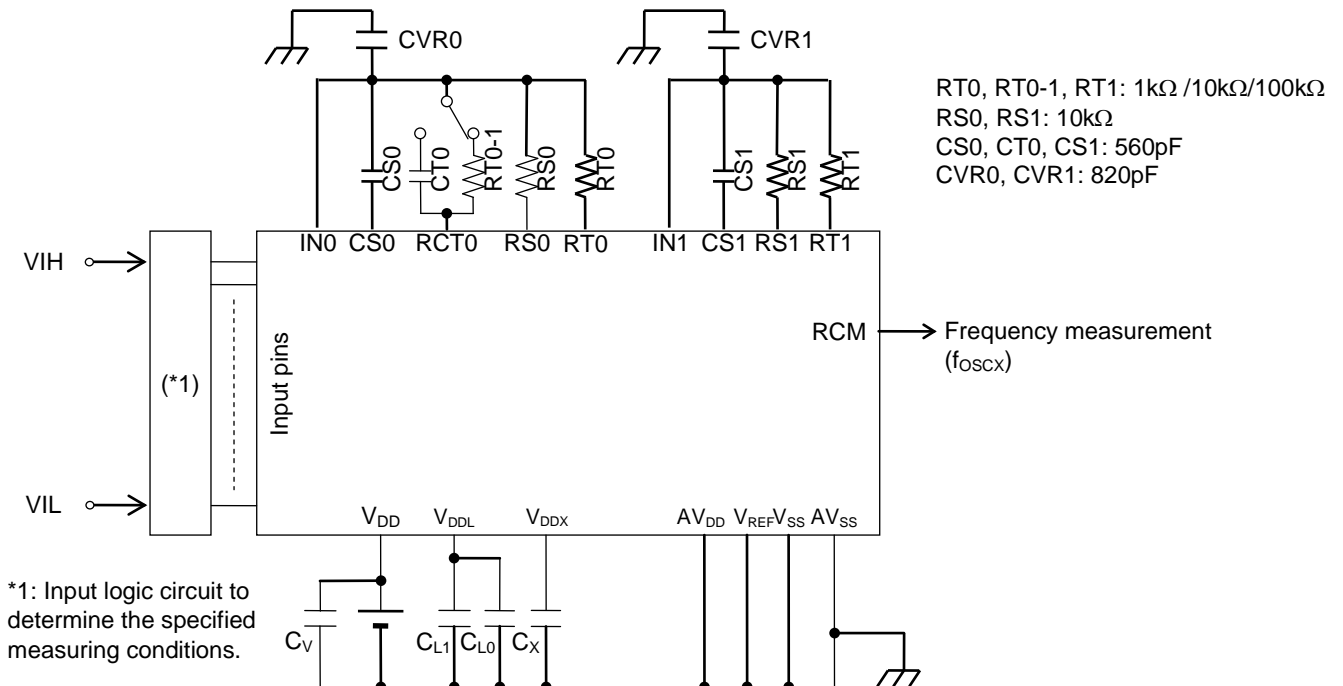
(V_{DD} = 1.3 to 3.6V, AV_{DD} = 2.2 to 3.6V, V_{SS} = AV_{SS} = 0V, Ta = -20 to +70°C, unless otherwise specified)

| Parameter | Symbol | Condition | Rating | | | Unit |
|--|--------------------------------|----------------------------------|--------|-------|-------|------|
| | | | Min. | Typ. | Max. | |
| Resistors for oscillation | RS0, RS1, RT0, RT0-1,RT1 | CS0, CT0, CS1 ≥ 740pF | 1 | — | — | kΩ |
| Oscillation frequency VDD = 1.5V | f _{OSC1} | Resistor for oscillation = 1kΩ | 209.4 | 330.6 | 435.1 | kHz |
| | f _{OSC2} | Resistor for oscillation = 10kΩ | 41.29 | 55.27 | 64.16 | kHz |
| | f _{OSC3} | Resistor for oscillation = 100kΩ | 4.71 | 5.97 | 7.06 | kHz |
| RS to RT oscillation frequency ratio *1 VDD = 1.5V | Kf1 | RT0, RT0-1, RT1 = 1kHz | 5.567 | 5.982 | 6.225 | — |
| | Kf2 | RT0, RT0-1, RT1 = 10kHz | 0.99 | 1 | 1.01 | — |
| | Kf3 | RT0, RT0-1, RT1 = 100kHz | 0.104 | 0.108 | 0.118 | — |
| Oscillation frequency VDD = 3.0V | f _{OSC1} | Resistor for oscillation = 1kΩ | 407.3 | 486.7 | 594.6 | kHz |
| | f _{OSC2} | Resistor for oscillation = 10kΩ | 49.76 | 59.28 | 72.76 | kHz |
| | f _{OSC3} | Resistor for oscillation = 100kΩ | 5.04 | 5.993 | 7.04 | kHz |
| RS to RT oscillation frequency ratio *1 VDD = 3.0V | Kf1 | RT0, RT0-1, RT1 = 1kHz | 8.006 | 8.210 | 8.416 | — |
| | Kf2 | RT0, RT0-1, RT1 = 10kHz | 0.99 | 1 | 1.01 | — |
| | Kf3 | RT0, RT0-1, RT1 = 100kHz | 0.100 | 0.108 | 0.115 | — |

*1: Kfx is the ratio of the oscillation frequency by the sensor resistor to the oscillation frequency by the reference resistor on the same conditions.

$$Kfx = \frac{f_{oscx}(RT0-CS0 \text{ oscillation})}{f_{oscx}(RS0-CS0 \text{ oscillation})}, \quad \frac{f_{oscx}(RT0-1-CS0 \text{ oscillation})}{f_{oscx}(RS0-CS0 \text{ oscillation})}, \quad \frac{f_{oscx}(RT1-CS1 \text{ oscillation})}{f_{oscx}(RS1-CS1 \text{ oscillation})}$$

(x = 1, 2, 3)



Note:

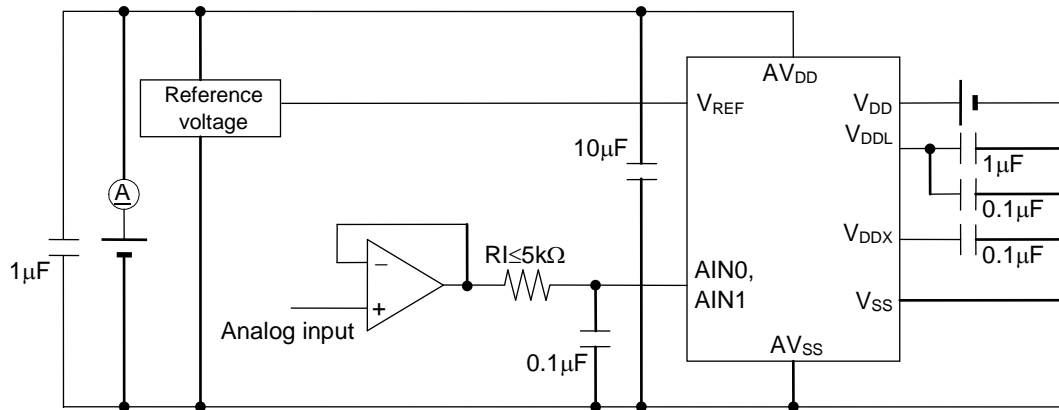
- Please have the shortest layout for the common node (wiring patterns which are connected to the external capacitors, resistors and IN0/IN1 pin), including CVR0/CVR1. Especially, do not have long wire between IN0/IN1 and RS0/RS1. The coupling capacitance on the wires may occur incorrect A/D conversion. Also, please do not have signals which may be a source of noise around the node.
- When RT0/RT1 (Thermistor and etc.) requires long wiring due to the restricted placement, please have VSS(GND) trace next to the signal.
- Please make wiring to components (capacitor, resistor and etc.) necessary for objective measurement. Wiring to reserved components may affect to the A/D conversion operation by noise the components itself may have.

Electrical Characteristics of Successive Approximation Type A/D Converter

($V_{DD} = 1.8$ to $3.6V$, $AV_{DD} = 2.2$ to $3.6V$, $V_{SS} = AV_{SS} = 0V$, $T_a = -20$ to $+70^\circ C$, unless otherwise specified)

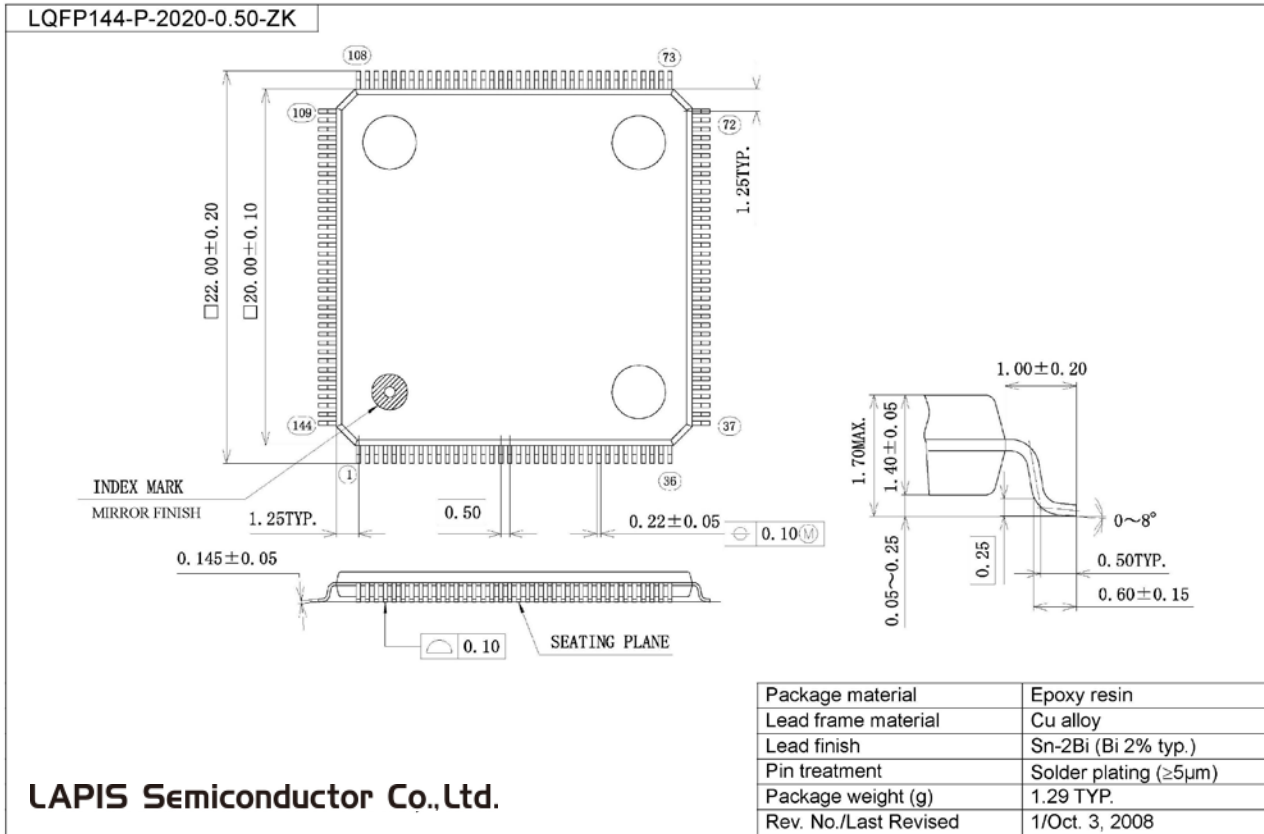
| Parameter | Symbol | Condition | Rating | | | Unit |
|----------------------------------|------------|--|--------|------|-----------|-----------|
| | | | Min. | Typ. | Max. | |
| Resolution | n | — | — | — | 12 | bit |
| Integral non-linearity error | IDL | $2.7V \leq V_{REF} \leq 3.6V$ | -4 | — | +4 | LSB |
| | | $2.2V \leq V_{REF} \leq 2.7V$ | -6 | — | +6 | |
| Differential non-linearity error | DNL | $2.7V \leq V_{REF} \leq 3.6V$ | -3 | — | +3 | |
| | | $2.2V \leq V_{REF} \leq 2.7V$ | -5 | — | +5 | |
| Zero-scale error | V_{OFF} | — | -6 | — | +6 | |
| Full-scale error | FSE | — | -6 | — | +6 | |
| Reference voltage | V_{REF} | — | 2.2 | — | AV_{DD} | V |
| Conversion time | t_{CONV} | SACK = 0 (HSCLK = 375kHz to 625kHz) | — | 25 | — | ϕ/CH |
| | | SACK = 1 (HSCLK = 1.5MHz to 4.2MHz) | — | 112 | — | |

ϕ : Period of high-speed clock (HSCLK)



Package Dimensions

(Unit: mm)



Notes for Mounting the Surface Mount Type Package

The surface mount type packages are very susceptible to heat in reflow mounting and humidity absorbed in storage. Therefore, before you perform reflow mounting, contact a ROHM sales office for the product name, package name, pin number, package code and desired mounting conditions (reflow method, temperature and times).

REVISION HISTORY

| Document No. | Date | Page | | Description |
|----------------|-------------|------------------|-----------------|--|
| | | Previous Edition | Current Edition | |
| FEDL610Q435-01 | Sep.13,2010 | – | – | Final edition 1 |
| FEDL610Q435-02 | Feb.2,2011 | 3 | 3 | The product name of A version is added. |
| | | 4 | 4 | Terminal name CRT0 is corrected to RCT0. |
| | | 5 | 5 | Terminal name CRT0 is corrected to RCT0. |
| | | 17 | 17 | The direction of I/O of T02P0CK is corrected not to "O" but to "I." |
| | | 18 | 18 | Terminal name CRT0 is corrected to RCT0. |
| | | 21 | 21 | Part number CHC49SFWB is corrected to HC49SFWB. |
| | | 23 | 23 | |
| | | 23 | 23 | Typ value"0" of a BLD threshold voltage temperature deviation is corrected to "0.1." |
| | | 24 | 24 | The terminal name P36 of the output voltage 1 is corrected to P35.Add the conditions of "**2". |
| | | 29 | 29 | The table of the exchange characteristic is substituted. |
| | | 33 | 33 | Substitution of a package dimensions. |
| FEDL610Q435-03 | Apr.8.2015 | All | All | Change header and footer. |
| | | 3 | 4 | Change from "Shipment" to "Product name – Supported Function" |
| | | - | 22 | Add CLOCK GENERATION CIRCUIT OPERATING CONDITIONS |
| | | 21 | 23 | Change "RESET" to "Reset pulse width (P _{RST}) " and "Power-on reset activation power rise time (T _{POR}) ". |
| | | 35 | 37 | Change description in Notes. |
| | | 2 | 2 | Corrected a typo. "100kbps@1MHz HSCLK" is corrected to 100kbps@4MHz HSCLK. |

NOTES

- 1) The information contained herein is subject to change without notice.
- 2) Although LAPIS Semiconductor is continuously working to improve product reliability and quality, semiconductors can break down and malfunction due to various factors. Therefore, in order to prevent personal injury or fire arising from failure, please take safety measures such as complying with the derating characteristics, implementing redundant and fire prevention designs, and utilizing backups and fail-safe procedures. LAPIS Semiconductor shall have no responsibility for any damages arising out of the use of our Products beyond the rating specified by LAPIS Semiconductor.
- 3) Examples of application circuits, circuit constants and any other information contained herein are provided only to illustrate the standard usage and operations of the Products. The peripheral conditions must be taken into account when designing circuits for mass production.
- 4) The technical information specified herein is intended only to show the typical functions of the Products and examples of application circuits for the Products. No license, expressly or implied, is granted hereby under any intellectual property rights or other rights of LAPIS Semiconductor or any third party with respect to the information contained in this document; therefore LAPIS Semiconductor shall have no responsibility whatsoever for any dispute, concerning such rights owned by third parties, arising out of the use of such technical information.
- 5) The Products are intended for use in general electronic equipment (i.e. AV/OA devices, communication, consumer systems, gaming/entertainment sets) as well as the applications indicated in this document.
- 6) The Products specified in this document are not designed to be radiation tolerant.
- 7) For use of our Products in applications requiring a high degree of reliability (as exemplified below), please contact and consult with a LAPIS Semiconductor representative: transportation equipment (i.e. cars, ships, trains), primary communication equipment, traffic lights, fire/crime prevention, safety equipment, medical systems, servers, solar cells, and power transmission systems.
- 8) Do not use our Products in applications requiring extremely high reliability, such as aerospace equipment, nuclear power control systems, and submarine repeaters.
- 9) LAPIS Semiconductor shall have no responsibility for any damages or injury arising from non-compliance with the recommended usage conditions and specifications contained herein.
- 10) LAPIS Semiconductor has used reasonable care to ensure the accuracy of the information contained in this document. However, LAPIS Semiconductor does not warrant that such information is error-free and LAPIS Semiconductor shall have no responsibility for any damages arising from any inaccuracy or misprint of such information.
- 11) Please use the Products in accordance with any applicable environmental laws and regulations, such as the RoHS Directive. For more details, including RoHS compatibility, please contact a ROHM sales office. LAPIS Semiconductor shall have no responsibility for any damages or losses resulting non-compliance with any applicable laws or regulations.
- 12) When providing our Products and technologies contained in this document to other countries, you must abide by the procedures and provisions stipulated in all applicable export laws and regulations, including without limitation the US Export Administration Regulations and the Foreign Exchange and Foreign Trade Act.
- 13) This document, in part or in whole, may not be reprinted or reproduced without prior consent of LAPIS Semiconductor.

Copyright 2010 - 2015 LAPIS Semiconductor Co., Ltd.

LAPIS Semiconductor Co.,Ltd.

2-4-8 Shinyokohama, Kouhoku-ku,
Yokohama 222-8575, Japan
<http://www.lapis-semi.com/en/>